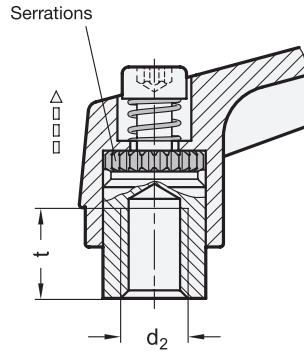
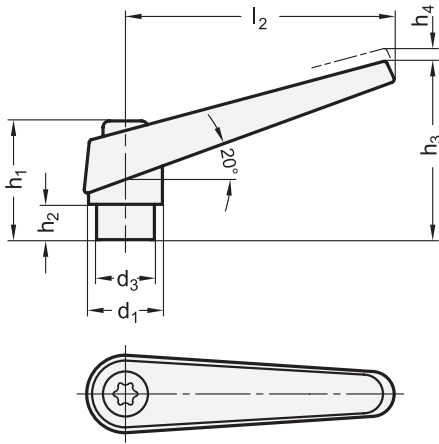


GN 101 Adjustable hand levers

Zinc die casting, bushing steel



Inch sizes available

d ₁	d ₂		d ₃	h ₁	h ₂	h ₃ ≈	h ₄ Stroke	l ₂	t min.
14	M 5	M 6	10	25	4,5	35	3,5	45	9
18	M 6	M 8	13,5	31	6,5	45	4	62	11
22	M 8	M 10	16	36	8	52	4	74	14
25	M 10	M 12	19	43	11	63	4	89	17
30	M 12	M 16	23	50,5	12	76	5	108	22

Specification

- Handle
Zinc die casting
- Plastic coated
black, RAL 9005, textured finish ● **SW**
orange, RAL 2004, textured finish ● **OR**
- Threaded bushing and retaining screw
Steel, blackened
- RoHS

On request

- with threaded bushing
in Stainless Steel GN 101.1

Information

Adjustable hand levers GN 101 are ideal whenever parts have to be clamped in a confined space or in a particular lever position. The centre insert is connected to the lever via serrations which can easily be disengaged.

Pulling the lever disengages serrations and allowing to be swivelled to the ideal clamping position. On releasing the lever the serrations automatically re-engage.

How to order

GN 101-25-M12-OR

- 1 d₁
- 2 d₂
- 3 Color