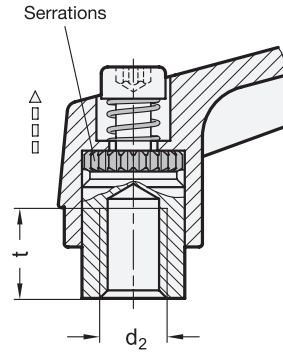
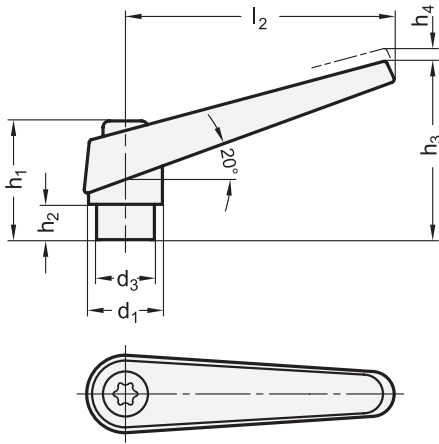


GN 101 Adjustable hand levers

Zinc die casting, bushing steel



Inch sizes available

d ₁	d ₂	d ₃	h ₁	h ₂	h ₃ ≈	h ₄ Stroke	l ₂	t min.
14	M 5 M 6	10	25	4,5	35	3,5	45	9
18	M 6 M 8	13,5	31	6,5	45	4	62	11
22	M 8 M 10	16	36	8	52	4	74	14
25	M 10 M 12	19	43	11	63	4	89	17
30	M 12 M 16	23	50,5	12	76	5	108	22

Specification

- Handle
Zinc die casting
- Plastic coated
black, RAL 9005, textured finish ● **SW**
orange, RAL 2004, textured finish ● **OR**
- Threaded bushing and retaining screw
Steel, blackened
- RoHS

Information

Adjustable hand levers GN 101 are ideal whenever parts have to be clamped in a confined space or in a particular lever position. The centre insert is connected to the lever via serrations which can easily be disengaged.

Pulling the lever disengages serrations and allowing to be swivelled to the ideal clamping position. On releasing the lever the serrations automatically re-engage.

see also...

- Adjustable hand levers GN 101.1 (bushing Stainless Steel) → Page XYZ
- Adjustable hand levers GN 300 (bushing steel, blackened) → Page 318
- Flat adjustable hand levers GN 302 (bushing steel, blackened) → Page 334
- Adjustable hand levers GN 300.2 (bushing steel, zinc plated) → Page XYZ
- Adjustable hand levers GN 602.1 (bushing Stainless Steel) → Page XYZ
- Adjustable hand levers GN 503 (Handle plastic) → Page XYZ

How to order

GN 101-25-M12-OR

- 1 d₁
- 2 d₂
- 3 Color