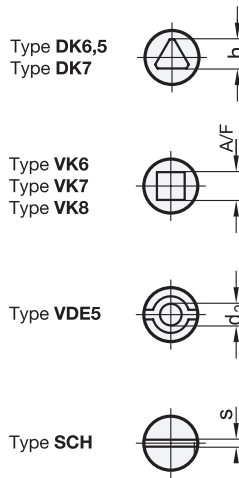
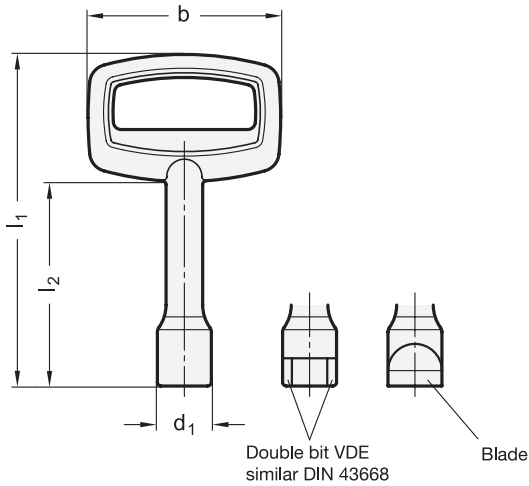




**2** Type

- Operation with
- DK6,5** triangle  $h = 6,5$
- DK7** triangle  $h = 7$
- VK6** square  $A/F6$
- VK7** square  $A/F7$
- VK8** square  $A/F8$
- VDE5** double bit  $d_2 = 5,6$
- SCH** blade / slot



**1**

$l_1$	$l_2$	b	$d_1$	$d_2$	h	s	A/F	Type	for latches			
55	34	32	11,4	-	6,5	1,3	6	DK6,5	VK6	-	SCH	GN 115.1 / GN 115.6
86	53	50	14	5,6	7	1,8	7	DK7	VK7	VDE5	SCH	GN 115 / GN 115.7 / GN 115.8 / GN 115.10 / GN 116.1 GN 119 / GN 119.3 / GN 516 / GN 516.1 / GN 516.5
86	53	50	14	-	-	-	8	-	VK8	-	-	GN 115 / GN 115.7 / GN 115.8 / GN 115.10 / GN 116.1 GN 119 / GN 119.3 / GN 516 / GN 516.1 / GN 516.5

**Specification**

**3**

- Zinc die casting
- plastic coated
- black, textured finish



• RoHS

How to order

**119.2-86-VK8-SW**

- 1**  $l_1$
- 2** Type
- 3** Finish