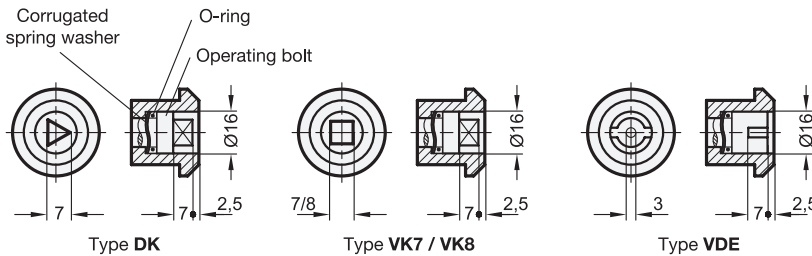
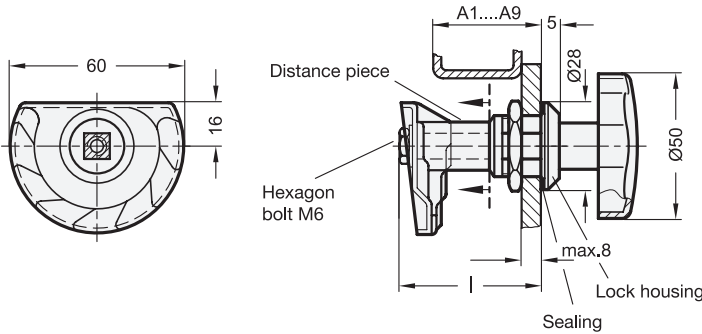




**1 Type**

Operation with

- SG** star knob
- DK** triangular spindle (DK7)
- VK7** square spindle A/F7
- VK8** square spindle A/F8
- VDE** double bit



**2**

Clamping range **A1...A9** (Door + frame thickness)

A 1 (l = 35)	A 2 (l = 40)	A 3 (l = 45)	A 4 (l = 50)	A 5 (l = 55)	A 6 (l = 60)	A 7 (l = 65)	A 8 (l = 70)	A 9 (l = 75)
17 - 25	22 - 30	27 - 35	32 - 40	37 - 45	42 - 50	47 - 55	52 - 60	57 - 65

**Specification**

- Stainless Steel AISI 303 (Cam latch AISI 304)
- Stainless Steel-Star knob GN 5334 AISI 304
- Protection class IP 65
- *Stainless Steel characteristics* → Page 1489
- **RoHS**

**Accessory**

- Socket keys GN 119.2 → Page 940
- Protective caps GN 120 → Page 942
- Opening handles GN 120.1 → Page 943

**3**

**Information**

Stainless Steel-Latches GN 119 have a pulling-in range of 10 mm. Locking is achieved by turning the latch clockwise.

The operating bolt is fitted with an O-ring for sealing.

see also...

- *Construction and assembly instructions* → Page 925
- *List of latch types* → Page 892 ff.
- *Latches GN 119* → Page 924
- *IP-Protection classes* → Page 1482

How to order  
**GN 119-SG-A3-NI**

<b>1</b>	<b>Type</b>
<b>2</b>	<b>Clamping range A</b>
<b>3</b>	<b>Material</b>