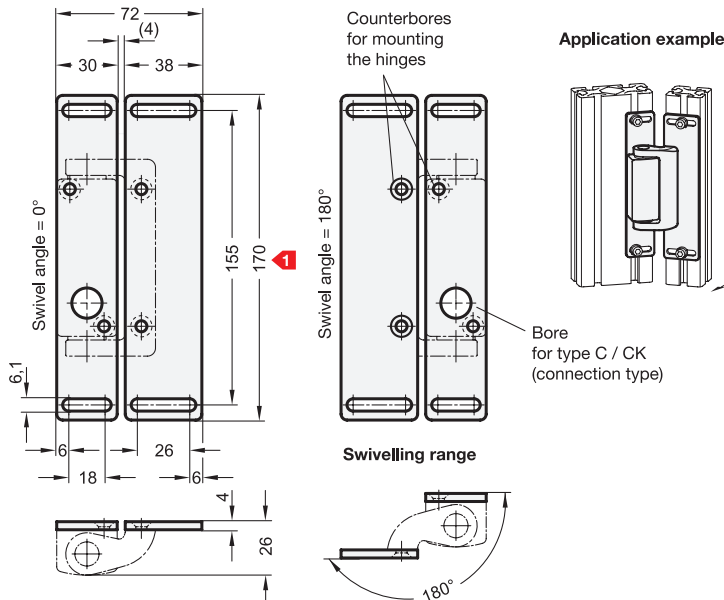


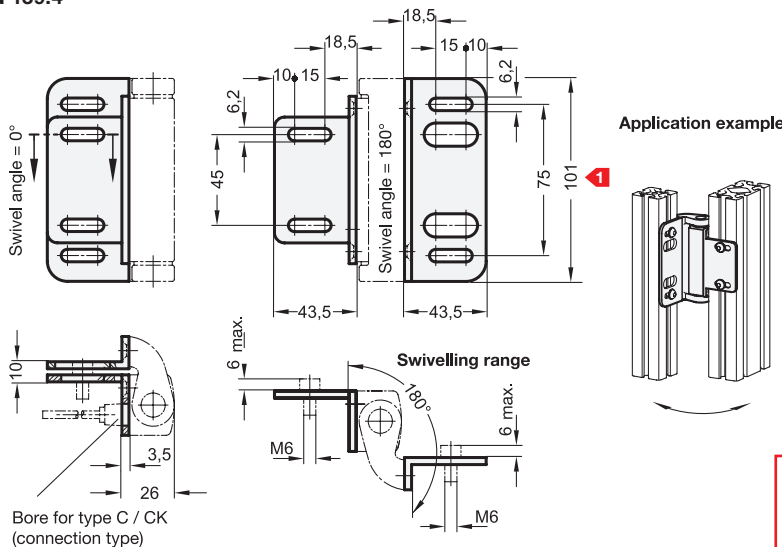
GN 139.3



Mounting plate, flat

GN 139.3-170

GN 139.4



Mounting plate, angled

GN 139.4-101

Specification

• GN 139.3

Steel
zinc plated and plastic coated
silver metallic

• GN 139.4

Zinc die casting
plastic coated
silver metallic

• RoHS

Information

The flat mounting plate GN 139.3 allows the hinges GN 139.1 / GN 139.2 to be attached from the front.

The angled mounting plate GN 139.4 allows the hinges GN 139.1 / GN 139.2 to be attached between frame and door, i.e. the door gap.

The long slotted holes allow the attachment to profile systems.

Countersunk screws for fixing the hinges to the mounting plate are included part of the order.