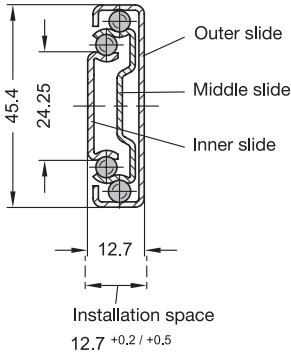
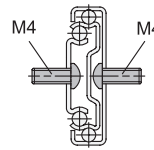


3.1

3.2



Mounting screws



**2 Type**

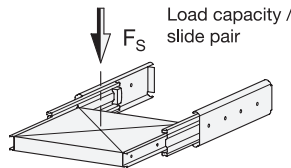
**F** With rubber stop, locking device in back, detach function

**3 Identification no.**

**1** Mounting with through-holes

3.3

3.4



3.5



l <sub>1</sub>	l <sub>2</sub> <sup>+3</sup> Stroke	l <sub>3</sub>	F <sub>S</sub> per pair in N	
			at 10,000 cycles	at 100,000 cycles
250	250	500	450	320
300	300	600	460	340
350	350	700	480	360
400	400	800	510	390
450	450	900	510	390
500	500	1000	480	360

l <sub>1</sub>	l <sub>2</sub> <sup>+3</sup> Stroke	l <sub>3</sub>	F <sub>S</sub> per pair in N	
			at 10,000 cycles	at 100,000 cycles
550	550	1100	460	340
600	600	1200	440	340
650	650	1300	420	320
700	700	1400	420	320
750	750	1500	400	300
800	800	1600	400	300

3.6

**Specification**



- Slide profile  
Steel, zinc plated, blue passivated **ZB**
- Bearings  
Roller bearing steel, hardened
- Ball cage, outer slide  
Plastic
- Ball cage, inner slide  
Steel, zinc plated
- Rubber stop and detach function  
Plastic / Elastomer
- Operating temperature -20 °C to 100 °C
- RoHS

**On request**

- Other lengths and hole spacing
- Other attachment options
- Other surfaces

**Information**

Telescopic slides GN 1410 are installed vertically and in pairs. The stroke reaches ≈ 100 % of the nominal length l<sub>1</sub> (full extension).

The telescopic slides are delivered in **pairs**. They can be installed on the extension on either the left or right side due to the mechanics. All mounting holes are easy to reach through auxiliary holes. Only the mounting holes are shown, but other production-related holes may be present.

see also...

- List of Telescopic Slide Types → Page 1852
- Technical Information on Telescopic Slides → Page 1898 ff.
- Stainless Steel Telescopic Slides GN 1450 (with Full Extension) → Page 1891
- Telescopic Slides GN 1412 (with Self-Retracting Mechanism) → Page 1864

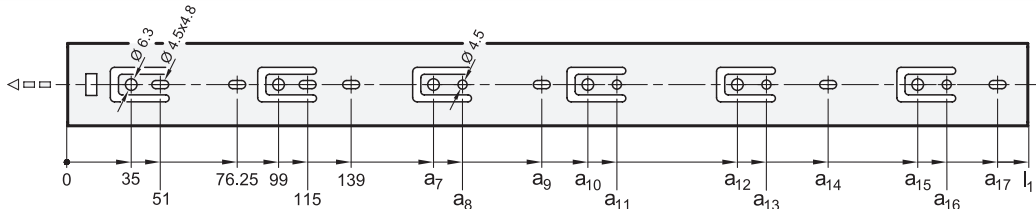
3.7

3.8

3.9

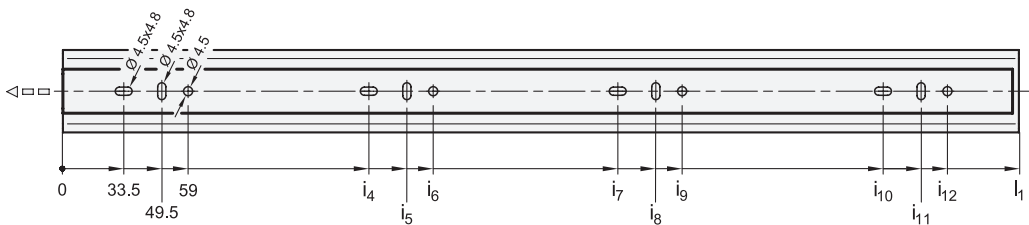
<p>How to order</p> <p><b>GN 1410-250-F-1-ZB</b></p>	<b>1</b> l <sub>1</sub>
	<b>2</b> Type
	<b>3</b> Identification no.
	<b>4</b> Finish

## Mounting holes - outer slide



$l_1$	$a_7$	$a_8$	$a_9$	$a_{10}$	$a_{11}$	$a_{12}$	$a_{13}$	$a_{14}$	$a_{15}$	$a_{16}$	$a_{17}$
250	183	199	-	-	-	-	-	-	-	-	-
300	259	275	-	-	-	-	-	-	-	-	-
350	259	275	309	-	-	-	-	-	-	-	-
400	259	275	-	323	339	-	-	373	-	-	-
450	259	275	361,5	387	403	-	-	-	-	-	-
500	259	275	361,5	387	403	451	467	-	-	-	-
550	259	275	361,5	387	403	451	467	501	-	-	-
600	259	275	361,5	387	403	515	531	565	-	-	-
650	259	275	361,5	387	403	579	595	629	-	-	-
700	259	275	361,5	387	403	579	595	629	-	-	-
750	259	275	361,5	387	403	547	563	597	643	659	693
800	259	275	361,5	387	403	579	595	629	707	723	757

## Mounting holes - inner slide



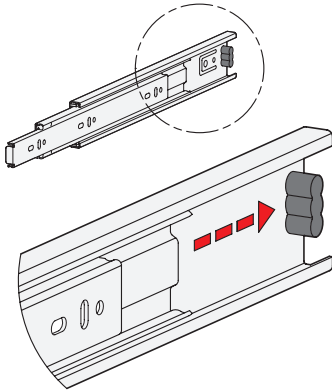
$l_1$	$i_4$	$i_5$	$i_6$	$i_7$	$i_8$	$i_9$	$i_{10}$	$i_{11}$	$i_{12}$
250	209,5	225,5	235	-	-	-	-	-	-
300	129,5	145,5	155	257,5	273,5	283	-	-	-
350	161,5	177,5	187	289,5	305,5	315	-	-	-
400	193,5	209,5	219	353,5	369,5	379	-	-	-
450	193,5	209,5	219	385,5	401,5	411	-	-	-
500	225,5	241,5	251	449,5	465,5	475	-	-	-
550	257,5	273,5	283	481,5	497,5	507	-	-	-
600	289,5	305,5	315	545,5	561,5	571	-	-	-
650	321,5	337,5	347	609,5	625,5	635	-	-	-
700	321,5	337,5	347	609,5	625,5	635	-	-	-
750	193,5	209,5	219	321,5	337,5	347	673,5	689,5	699
800	193,5	209,5	219	353,5	369,5	379	705,5	721,5	731

## Mounting screws

For the said loading forces  $F_S$  to be absorbed reliably in the surrounding structure, all available through-holes of the outer and inner slide having a diameter ( $\varnothing$ ) of 4.5 must be used. Alternatively, the outer slide has holes with a diameter ( $\varnothing$ ) of 6.3 for Euro screws. The elongated holes,  $\varnothing 4.5 \times 4.8$ , are used likewise for mounting and facilitate adjustment during mounting when needed. Failure to use mounting screws reduces the specified load capacity accordingly. The following screws can be used for mounting:

Designation - standard		Outer slide	Inner slide
Hexagon socket button head screw	ISO 7380	M 4	M 4
Pan head screw, Phillips	ISO 7045	M 4	M 4
Pan head tapping screw, Phillips	ISO 7049	ST 3,9 / 4,2	ST 3,9 / 4,2

## Rubber stop, locking device in retracted position

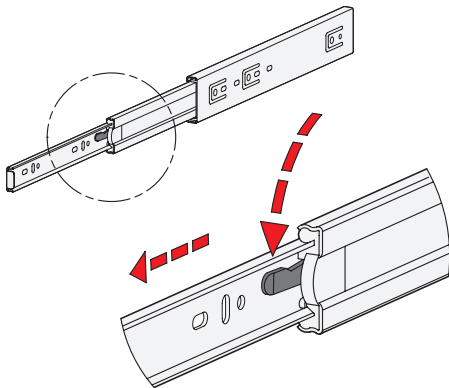


The rubber stops of type F dampen the impact of the slide in the two end positions. This feature minimizes noise development and increases the service life. Attached to the slides in a partially concealed, partially visible manner, the stops meet each of the requirements in regards to shape, material, and hardness.

In the retracted end position, the rubber stop additionally takes on a locking function, which is noticeable through a slight resistance on opening and closing.

If larger static or dynamic loads occur in the direction of extension, they should be absorbed by additional end stops.

## Detach function



Type F has additionally a detach function through which the extension slides can be completely separated from one another in the area of the middle and inner slide. This feature not only facilitates mounting. It also allows the extension to be quickly removed, for example, when frequent maintenance work is performed on the components located behind.

The telescopic slide can be quickly and easily detached in the extracted position through activation of the release lever, allowing the inner slide to be removed from the front.

For reattaching the slides, the ball cages need to be moved to the front end position. Then the inner slide is inserted to the back end stop where it locks into place automatically.

The protected arrangement of the release mechanism prevents accidental detachment of the slide.

