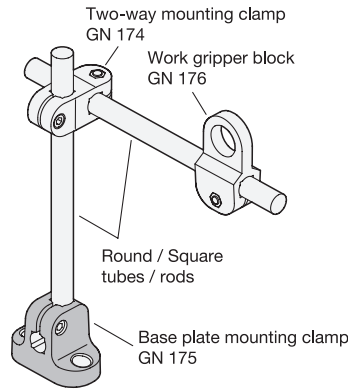


**Application example**



**elesa**  
Original design MSX.



3.1

3.2

3.3

3.4

3.5



d Bore	l <sub>1</sub>	l <sub>2</sub>	m <sub>1</sub>	m <sub>2</sub>	s Square	t ≈	x	y <sub>1</sub>	y <sub>2</sub>
B 10	40	21	20	4,5	V 8	10	30	56	40
B 12	40	21	20	4,5	V 10	10	30	56	40
B 14	40	21	20	4,5	V 12	10	30	56	40

3.6

**Specification**

- Plastic (Polyamide)
  - Glass fiber reinforced
  - Temperature resistant up to 60 °C
  - Black, matte finish
- Socket cap screws DIN 912  
Stainless steel AISI 304
- Hex nuts ISO 4032  
Stainless steel AISI 304
- *Plastic Characteristics* → Page 2158
- *Stainless Steel Characteristics* → Page 2166
- **RoHS**

**Information**

- see also...**
- *Product Family Standard Parts for Profile Systems* → Page 18
  - *Base Plate Mounting Clamps GN 473 (Aluminum)* → Page 1789
  - *Retaining Rods / Retaining Tubes GN 480.1* → Page 1833
  - *Work Gripper Blocks GN 176* → Page 1809
  - *Assembly Sets for Profile Systems 30 / 40 GN 965* → Page 2086
  - *Assembly Sets for Profile Systems 30 / 40 / 45 GN 968* → Page 2096

3.7

3.8

3.9

How to order

**GN 175-B12**

1 d

