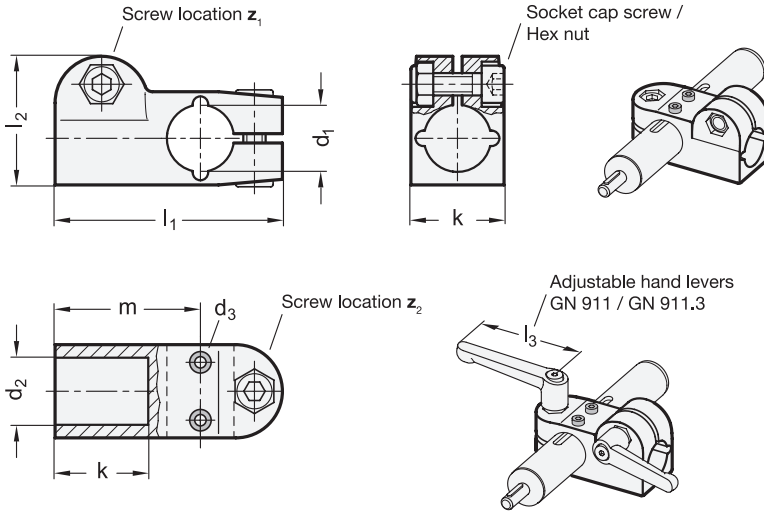




- 3 Identification no.**
2 With 2 stainless steel socket cap screws DIN 912



d₁ Bore		d₂ Bore	d₃ Mounting screws on the drive key	k Clamping length	l₁	l₂	m	Z₁ Screw location	Z₂ Screw location	Accessory Recom. hand lever							
without sleeve bearing	with sleeve bearing									GN 911 for Aluminum	GN 911.3 for SST						
										for Z ₁	for Z ₂	for Z ₁	for Z ₂				
										l ₃	l ₃	l ₃	l ₃				
B 18*	G 18	B 18	M 3	25	61	34,5	39	M6-20	M6-20	-	-	45	63	45	63	45	63

* only available in version SW

Specification

- Aluminum
Powder coated
Black, RAL 9005, textured finish ● **SW**
- Stainless Steel AISI CF-8 **NI**
- Matte shot-blasted
- Only with sleeve bearing
- Sleeve bearing
Plastic (PTFE)
- Socket cap screws DIN 912
Stainless steel AISI 304
- Hex nuts DIN 985
Stainless steel AISI 304
Self-locking via polyamide ring
- Plastic Characteristics → Page 2158
- Stainless Steel Characteristics → Page 2166
- RoHS

Accessory

- Adjustable Hand Levers GN 911 / GN 911.3
→ Page 1784 / 1785

Information

T-angle linear actuator connectors GN 191.1 are based on T-angle connector clamps. The additionally provided fastening holes are used to connect to the drive key of a linear actuator. Bores with the designation „G“ are equipped with sleeve bearings.

With the screw location **z₂**, the play of the guide bores **d₁** can be adjusted or the linear actuator connectors can be clamped after adjustment.

For quick clamping without tools, the socket cap screws can be replaced by the adjustable hand levers GN 911 / GN 911.3 listed in the table as accessories.

see also...

- Linear Actuators GN 291 → Page 1950
- Linear Actuators GN 292 → Page 1952

How to order (Aluminum)	
1	d ₁
2	d ₂
3	Identification no.
4	Finish
GN 191.1-B18-B18-2-SW	

How to order (Stainless steel)	
1	d ₁
2	d ₂
3	Identification no.
4	Material
GN 191.1-G18-B18-2-NI	