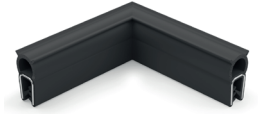
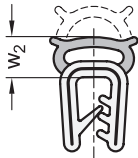


Type A



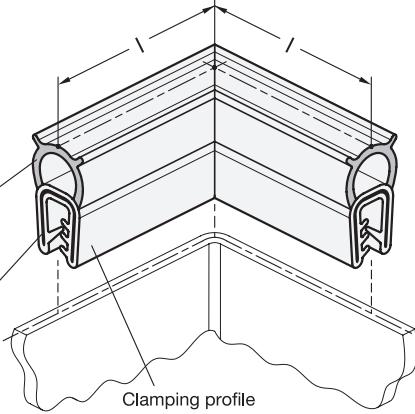
3 Type

- A Upper seal profile
- D Side seal profile



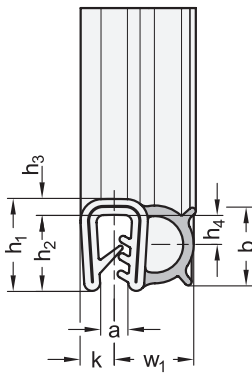
Upper seal profile

Clamp insert



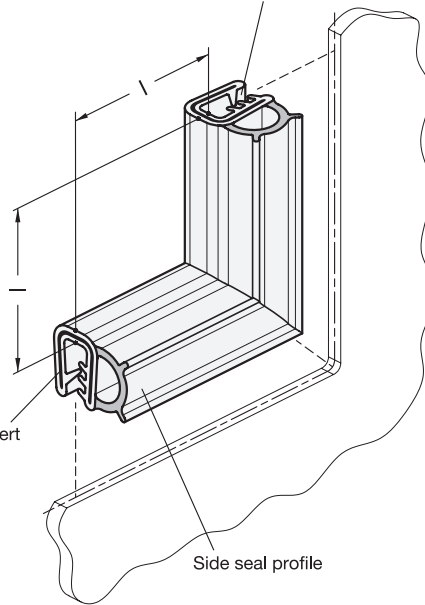
Clamping profile

Type D

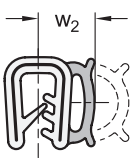


Clamping profile

Clamp insert



Side seal profile



2

4

Type A

h_1	Length l				a Clamping area	b	h_2	w_1	w_2 up to 50% permissible deformation
20,5	160 ±2	250 ±2,5	400 ±3,2	630 ±4	1 - 3,5	11	10,5	10	7

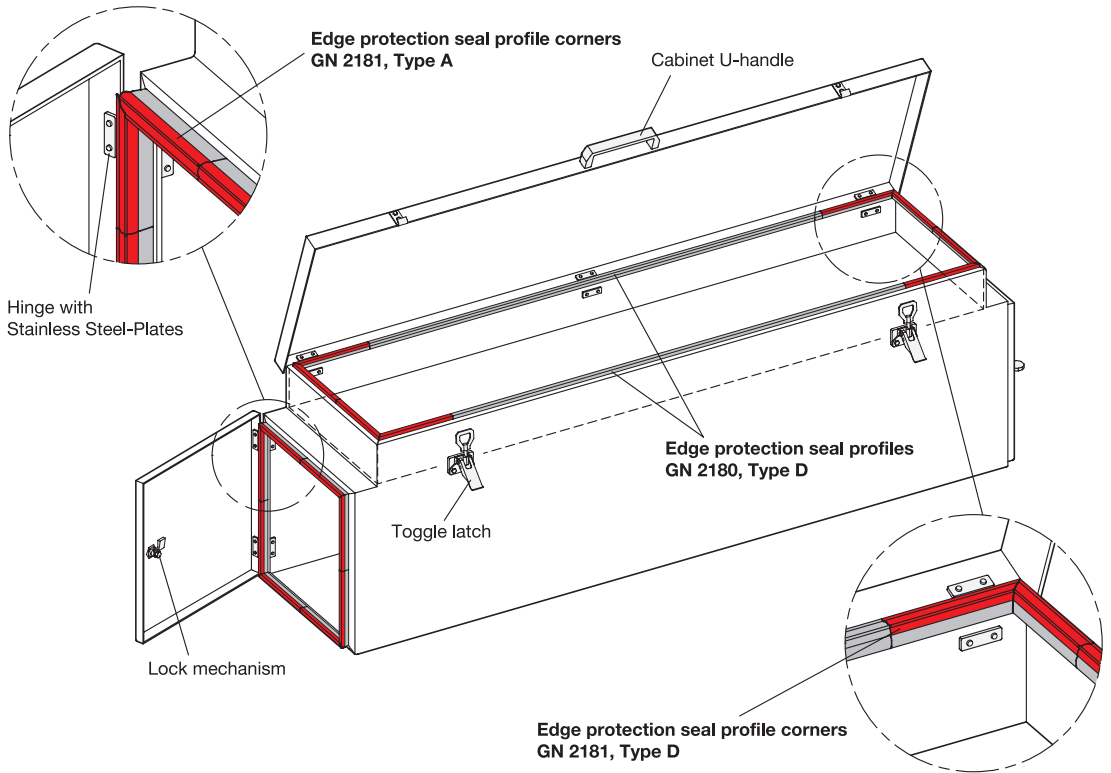
2

4

Type D

h_1	Length l				a Clamping area	b	h_2	h_3	h_4	k	w_1	w_2 up to 50% permissible deformation
13	160 ±2	250 ±2,5	400 ±3,2	630 ±4	1 - 3,5	11	10,75	2,25	4,5	4,75	11,25	8,75

Application Example



Specification



Clamping profile / Sealing profile

- Ethylene propylene diene rubber **EPDM**
 - Black
 - Clamping profile hardness 65 ±5 Shore A
 - Sealing profile hardness 25 ±5 Shore A
 - Temperature resistant -40 °C to 100 °C
- Acrylonitrile butadiene rubber **NBR**
 - Black
 - Clamping profile hardness 60 ±5 Shore A
 - Sealing profile hardness 25 ±5 Shore A
 - Temperature resistant -30 °C to 100 °C

Clamp insert

Steel wire polyester clamping band

RoHS

On request

- Edge protection seal profile segments, vulcanized, e.g. in U or Z shape
- Edge protection seal profile frame, vulcanized, closed, e.g. in round or square shape

With edge protection seal profiles corners GN 2181, right-angle sealing paths can be quickly and easily implemented without a minimum laying radius or manual „free-cutting” of the profile. The corner joint is sealed and firmly attached thanks to vulcanization.

The leg length l can be shortened or extended with the corresponding section of GN 2180. Installed “compressed” with an excess dimension of about 1% of the total length, the joints are tightly fitting and do not require adhesive.

During operation, the profile must experience deformation to dimension w_2 in order to ensure an optimal sealing effect. The profiles made of NBR are intended for uses in contact with oils, fuels or lubricants.

The EPDM versions are made of UL 50 and UL 94-HB certified edge protector sealing profiles.

see also...

	Page
GN 2180 Edge Protection Seal Profiles	QVX
GN 2182 Edge Protection Seal Profiles	QVX
GN 2184 Edge Protection Profiles	QVX

Technical Information

Technical information	QVX
Plastic Characteristics	QVX

How to order

1	Material
2	h_1
3	Type
4	Length l

GN 2181-NBR-20,5-A-400

