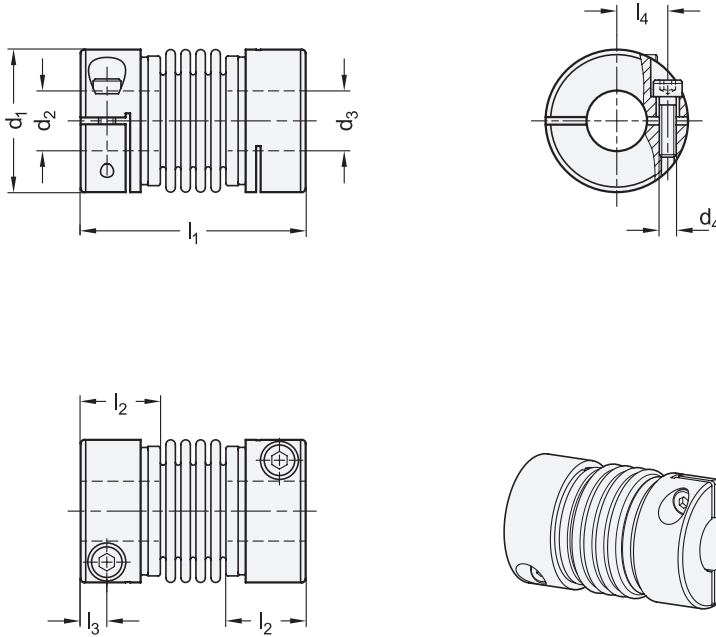




**2 Bore code**  
B Without keyway



<b>1</b> $d_1$	<b>3</b> $d_2 - d_3$ H8 Recommended shaft tolerance h7					
19	5-5	5-6	5-8	6-6	6-8	8-8
27	6-6	6-8	6-10	8-8	8-10	10-10
32	10-10	10-12	10-14	12-12	12-14	14-14
40	12-12	12-15	12-19	15-15	15-19	19-19

$d_1$	$d_4$	$l_1$	$l_2$ Recommended shaft insertion depth	$l_3$	$l_4$	Tightening torque of the screw in Nm $\approx$
19	M 2	30	10,5	3	6,8	0,5
27	M 2,5	35	12,5	3,5	10,3	0,9
32	M 3	46	15,5	4,3	12	1,5
40	M 4	51	16	5	15	3,5

$d_1$	Rated torque in Nm	Max. speed (min <sup>-1</sup> )	Moment of inertia in kgm <sup>2</sup>	Static torsional stiffness in Nm/rad	Max. shaft misalignment		
					Lateral in mm	Axial in mm	Angular in °
19	1,5	33.000	$8,6 \times 10^{-7}$	170	0,15	$\pm 0,5$	1,5
27	2,3	23.000	$3,6 \times 10^{-6}$	800	0,15	$\pm 0,5$	1,5
32	4,5	19.000	$1,1 \times 10^{-5}$	1600	0,2	$\pm 0,7$	1,5
40	10	15.000	$2,8 \times 10^{-5}$	2700	0,2	$\pm 1$	1,5



## Specification

• Hub	
Aluminum	<b>AL</b>
Anodized, natural color	
• Bellows	
Stainless steel AISI 304	<b>NI</b>
• Socket cap screws DIN 912	
Steel, blackened	
• Crimp ring	
Brass	
• Temperature resistant up to 120 °C	
• <i>ISO Fundamental Tolerances</i> → Page 2151	
• <i>Stainless Steel Characteristics</i> → Page 2166	
• RoHS	

## On request

- Bore with keyway

## Information

Bellows couplings GN 2244 transmit angle positions and torques with extreme precision and zero backlash. The metal bellows also reliably compensates for shaft misalignments and runout tolerances. The clamping hubs make bellows couplings very easy to install.

They are used in applications where precise position and movement transmission is required, such as in the servo drive systems of machine tools and in industrial robots.

see also...

- *Assembly Instructions on Couplings* → Page 1694
- *Technical Information on Couplings* → Page 1696
- *Beam Couplings GN 2246* → Page 1690
- *Elastomer Jaw Couplings GN 2240 (with Clamping Hub)* → Page 1680

## How to order

1	d <sub>1</sub>
2	Bore code
3	d <sub>2</sub> - d <sub>3</sub>
4	Material (Hub)
5	Material (Bellows)

**GN 2244-40-B12-19-AL-NI**

