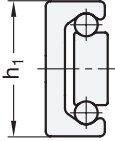
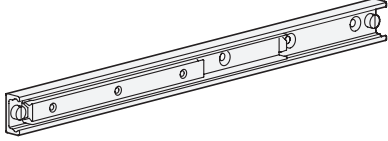
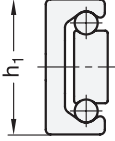
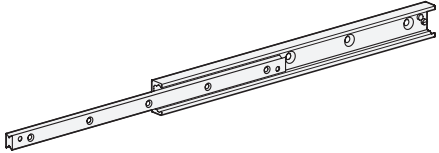
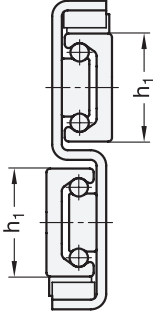
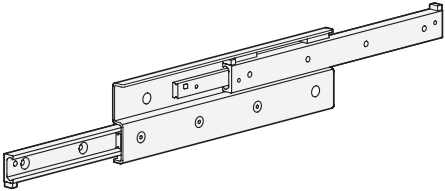
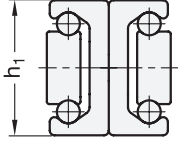
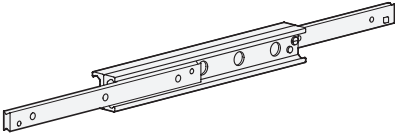
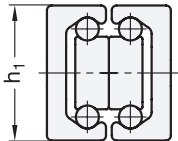
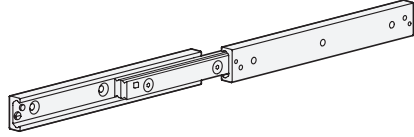



Linear slides

Types

<p>Linear slides with inside traversal distance GN 2402 → Page 1291</p>			<p>3.1 3.2</p>
<p>Teleskopik linear slides with partly outside traversal distance (Partial extension) GN 2404 → Page 1292</p>			<p>3.3 3.4</p>
<p>Teleskopik linear slides with S-shaped intermediate profile (Full extension) GN 2406 → Page 1293</p>			<p>3.5 3.6</p>
<p>Teleskopik linear slides with rails connected in H-shape (Full extension) GN 2408 → Page 1294</p>			<p>3.7 3.8</p>
<p>Teleskopik linear slides with runners connected in dual configuration (Full extension) GN 2410 → Page 1295</p>			<p>3.9 </p>