

3.1

3.2

3.3

3.4

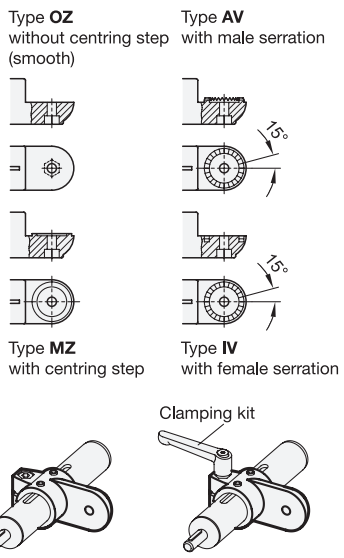
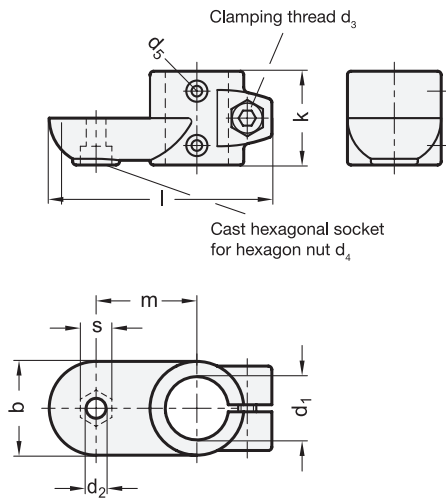
3.5

3.6

3.7

3.8

3.9



- 2 Type**
- OZ** without centring step (smooth)
- MZ** with centring step
- AV** with male serration
- IV** with female serration
- 3 Identification no.**
- 2** with Stainless Steel-Clamping screw DIN 912

d <sub>1</sub>	bore B without slide insert	Bore G with slide insert	b	Swivel width	d <sub>2</sub>	d <sub>3</sub>	Clamping thread	d <sub>4</sub>	d <sub>5</sub>	Mounting screw on the follower	k	Length l	m	s	Clamping kit for d <sub>3</sub>
B 30	G 30	40	8,5	M 8	M 8	M 4	40	95	43	13	GN 911-M 8-32				
B 40	G 40	65	10,5	M 10	M 10	M 5	65	148	70	17	GN 911-M10-55				
B 50	G 50	65	10,5	M 10	M 10	M 6	65	148	70	17	GN 911-M10-55				

**Specification**

- Aluminum plastic coated black, RAL 9005, textured finish **● SW**
- Guide bore mechanically machined
- Slide insert Plastic (PA / PTFE)
- Socket cap screws DIN 912 Stainless Steel AISI 304
- Hexagon nuts DIN 985 Stainless Steel AISI 304
- *Stainless Steel characteristics* → Page 1489
- *Plastic characteristics* → Page 1483
- RoHS

**Accessory**

- Clamping kits GN 911 → Page 1242

**Information**

GN 274.1 swivel clamp linear actuator connectors are normally supplied **mounted** only in connection with a linear actuator and for function control.

By means of the clamping screw on the guide bore d<sub>1</sub> the movement can either be set or the linear actuator connector can be clamped (after setting of final adjustment).

The standard version of the clamping screw is a socket cap screw with hexagonal socket DIN 912. It can be replaced by a clamping kit GN 911 (article code see table of dimensions).

see also...

- *Linear actuators GN 291* → Page 1326
- *Linear actuators GN 292* → Page 1328
- *Linear actuators GN 293* → Page 1329

How to order	<b>1</b>	d <sub>1</sub>
	<b>2</b>	Type
	<b>3</b>	Identification no.
	<b>4</b>	Finish
<b>GN 274.1-B30-OZ-2-SW</b>		