

3 Type

- W Housing for angular gears
- T Housing for T-gears

1

2

s	d Bore for linear actuator / transfer unit	l ₁	l ₂
28	B 18	60	90
40	B 30	84	126
50	B 40	108	162
60	B 50	128	190

Specification

- Aluminum gravity die casting
Powder coated
Black, RAL 9005, textured finish ● **SW**
- Thrust screws
Stainless steel
- RoHS

4

Information

Housings GN 298 for angular / T-gears are used in connection with bevel gear wheels GN 297 and linear actuators / transfer units GN 391. The angular / T-gears are designed to deflect the rotary movement of a linear actuator / transfer unit by 90°.

An operating instruction with more details and specifications is included with every delivery.

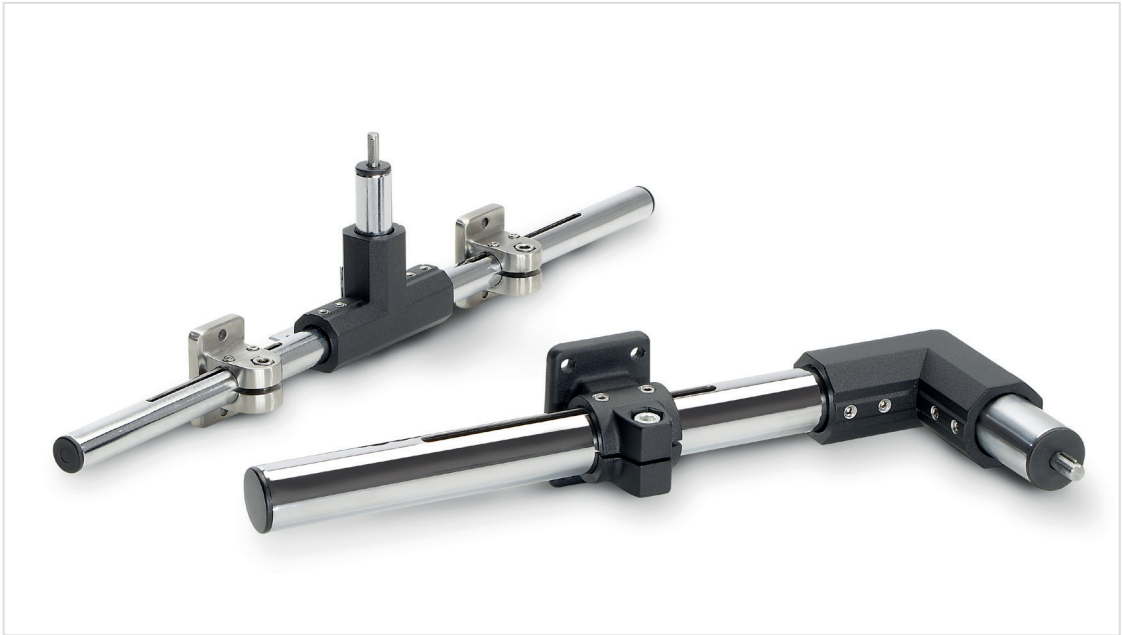
see also...

- *Linear Actuators GN 291, GN 292, GN 293* → Page 1950 ff.
- *Transfer Units GN 391* → Page 1988
- *Bevel Gear Wheels GN 297* → Page 1989
- *Assembly and Application Examples* → Page 1992 ff.

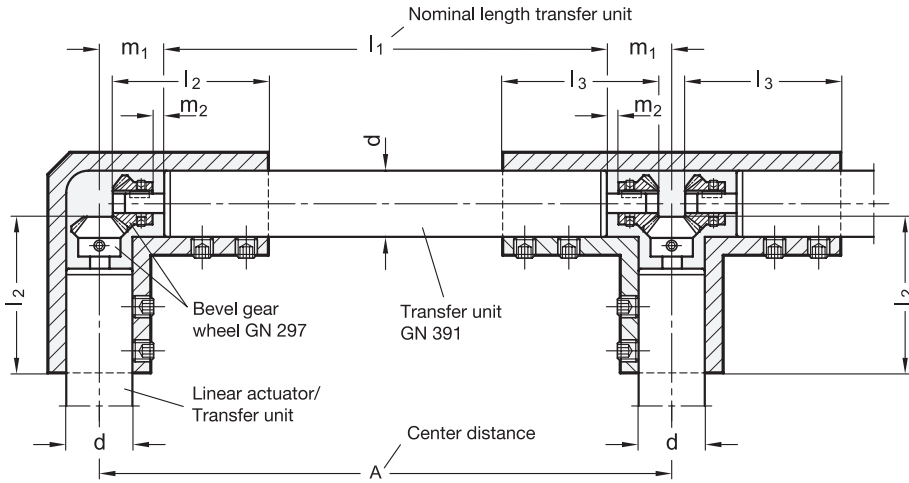
How to order

1 2 3 4
GN 298-40-B30-T-SW

1	s
2	d
3	Type
4	Finish



Assembly of linear actuators and transfer units with bevel gear wheels in housings GN 298



d Ø Linear actuator / Transfer unit	l ₂	l ₃	m ₁	m ₂	Bevel gear wheel	Housing	Length of the transfer unit GN 391: $l_1 = A - 2 \times m_1$
18	41	40	20	4	GN 297-14,5-K6	GN 298-28-B18-W/T-SW	
30	58	57	26	1	GN 297-25-K8	GN 298-40-B30-W/T-SW	
40	75,5	73,5	32	1	GN 297-33-K12	GN 298-50-B40-W/T-SW	
50	90,5	87,5	32	1	GN 297-33-K12	GN 298-60-B50-W/T-SW	

3.1
3.2
3.3
3.4
3.5
3.6
3.7
3.8
3.9

