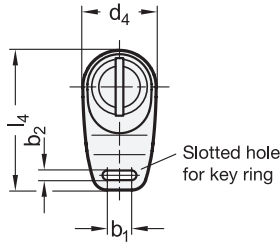
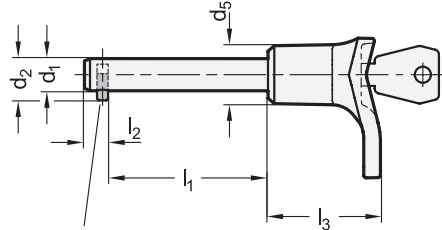
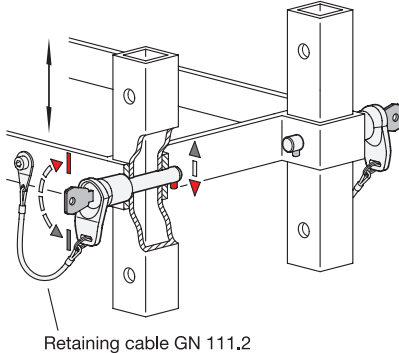


GN 314 Stainless Steel-Locking pins

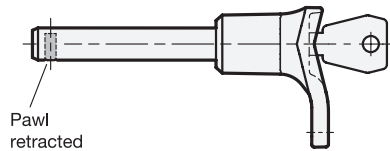
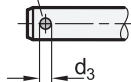
with L-Handle, lockable



Application example



Pawl



Pawl retracted



3 Type
L with L-handle

4 Coding
SC with key (keyed alike)
SU with key (keyed differently)

d ₁ -0,05	l ₁ +0,5							b ₁	b ₂	d ₂	d ₃	d ₄	d ₅	l ₂ ±1	l ₃	l ₄
8	20	25	30	35	40	50	-	7,5	3	9,5	3	23	18	4,5	35	43,5
10	20	25	30	35	40	50	60	7,5	3	12,6	3	23	18	4,5	35	43,5
12	30	35	40	50	60	70	80	7,5	3	14,6	4	23	18	6	35	43,5
16	30	35	40	50	60	70	80	12	4	19,7	5	35,5	28	7,5	40,5	65
20	60	80	100	120	-	-	-	12	4	23,7	5	35,5	28	7,5	40,5	65

Specification

- Plunger pin / Pawl
Stainless Steel AISI 303 **NI**
- L-Handle
Plastic (Polyamide PA)
- black
- temperature resistant up to 80 °C
- Lock mechanism
Zinc die casting / Stainless Steel
- Key (two pieces)
Steel, nickel plated
- Load capacity → Page XYZ
- ISO-Fundamental tolerances → Page 1479
- Stainless Steel characteristics → Page 1489
- RoHS

Accessory

- Ball chains GN 111 / GN 111.5 → Page 876
- Retaining cables GN 111.2 → Page 877
- Spiral retaining cables GN 111.4 → Page 878

Information

Stainless Steel-Locking pins GN 314 with L-Handle and key are used for quick fixing, connecting and locking of various jig and fixture systems without the need for tools. Turning the key 180° moves the pawl at the front end of the pin to engage the axial locking of the inserted pin. After locking, unauthorized removal is no longer possible. The key can be removed in both end positions.

The key can be removed in the end positions. Locks with coding SC are keyed alike, allowing each lock to be operated with the same key. Locks with coding SU have different locks with 100 different lock versions and correspondingly numbered keys.

The technical appendix contains the load capacities for the double-sided shearing resistance (breaking strength).

see also...

- List of lock pin types → Page 746 ff.
- Stainless Steel-Ball lock pins GN 113.11 / GN 113.12 with L-Handle
→ New products

How to order	1 d ₁
	2 l ₁
	3 Type
	4 Coding
	5 Material

GN314-16-70-L-SC-NI