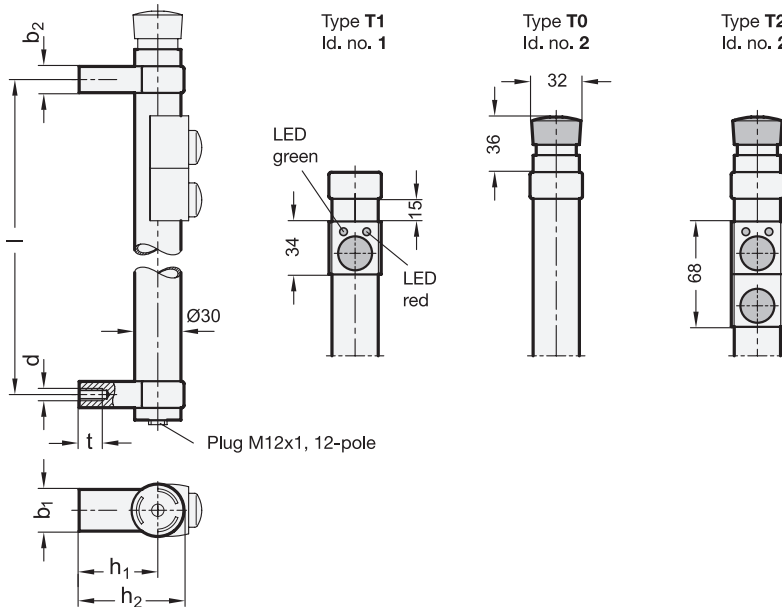




- 3 Type**
- T0 without button
 - T1 with 1 button
 - T2 with 2 buttons

- 4 Identification no.**
- 1 without emergency stop
 - 2 with emergency stop



1

Length $l \pm 0,25$	d	b ₁	b ₂	h ₁	h ₂	t min.
200	M 8	27	17	51	68	15
300	M 8	27	17	51	68	15

Specification

- Tube $\varnothing 30 \times 1,5$
Aluminum
 - plastic coated
black, RAL 9005, textured finish ● **SW**
 - anodized, natural color ○ **EL**
- Handle legs zinc die casting
plastic coated
black, RAL 9005, textured finish
- Cover
(for version without emergency stop)
Plastic
light gray
- Load rating information → Page 1450
- RoHS

Accessory

- Cables with connector coupling M12x1
GN 330 → Page 1004

Information

Tubular handles GN 331 with power switching function are suitable for unlocking safety tumblers in rotating, detachable or side-sliding safety devices which must be closed in order to safeguard the required operational safety.

By integrating functions such as emergency stop, start, release, reset and LED status display, this tubular handle allows the machine to be monitored and operated directly at the door or gate.

see also...

- Tubular handles GN 333.1 (straight) → Page 130
- IP-Protection classes → Page 1482

How to order

GN331-300-EL-T2-1

1	Length l
2	Finish
3	Type
4	Identification no.

Characteristics of the standard executions GN 331		
The tubular handles have the CE marking, low voltage guideline 06 / 95 / EG		
Emergency stop	2 channel, Breaker	
1st button with 2 LED	Changeover contact	
	LED, red and green	
2nd button	Maker	
Contact termination, Pin configuration	Plug M12x1, 12-pole	
Switching voltage / Switching current	max. 30 V AC / max. 1,5 A	
Operating voltage (LEDs)	24 V DC ±15%	
Protection class	IP 67	
Button color	for each button a set of caps is included, in this colors: red, green, blue	

Additional variations as special application		
Emergency stop	1 channel	
Number of buttons > 2 Button optional with	Maker	
	Breaker	
	Changeover contact	
Button with labelling area		

1.1
1.2
1.3
1.4
2.1
2.2
2.3
2.4

