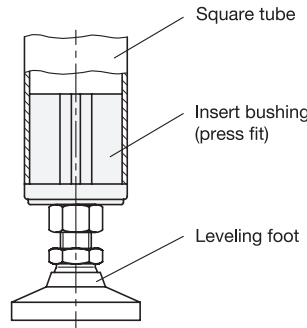


Application example



1 2 3

s ₁	s ₂	d	l ₁	l ₂	t	Tube dimensions		Wall thickness	Static load in N (see information)
						Outside	Inside		
30	27	M 8	33	6	15	30	27	1,5	17000
30	27	M 10	33	6	15	30	27	1,5	17000
30	27	M 12	33	6	18	30	27	1,5	17000
30	27	M 16	33	6	20	30	27	1,5	17000
40	36	M 8	43	8	15	40	36	2	18000
40	36	M 10	43	8	15	40	36	2	18000
40	36	M 12	43	8	18	40	36	2	18000
40	36	M 16	43	8	20	40	36	2	18000
50	45	M 12	55	10	18	50	45	2,5	20000
50	45	M 16	55	10	20	50	45	2,5	20000
50	45	M 20	55	10	30	50	45	2,5	20000
50	46	M 12	55	10	18	50	45	2	20000
50	46	M 16	55	10	20	50	45	2	20000
50	46	M 20	55	10	30	50	45	2	20000

Specification

- Plastic (Polyamide PA)
 - Glass fiber reinforced
 - Black, matte finish
 - Temperature resistant up to 120 °C
- Bushing
 - Brass, nickel-plated
- *Plastic Characteristics* → Page 2158
- RoHS

Information

Insert bushings GN 348 offer the possibility of mounting screws in square tubes. The bushes are held in place via the tapered plug-in section in the tube.

The values given in the table regarding the static load capacity serve as a guide only and if these are exceeded serious permanent deformation or breakage of the insert bushings could occur.

The details relating to the load bearing capacity are non-binding recommended values and rule out any liability. They constitute no general warranty of quality and condition. The user must determine from case to case whether a product is suitable for the intended use.

see also...

- *Insert Bushings GN 448 (for Tubes)* → Page 1498 / 1499

How to order

GN 348-30-27-M12

- 1 s₁
- 2 s₂
- 3 d