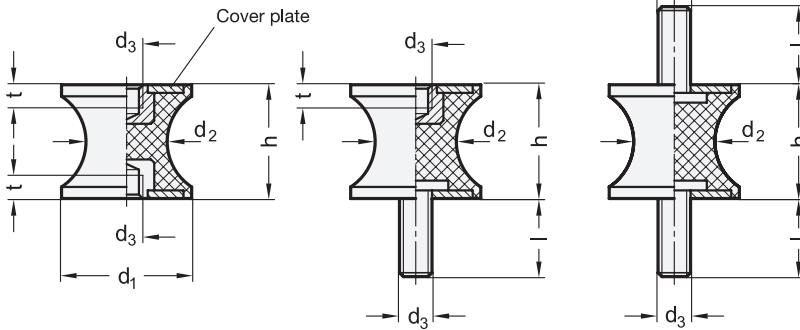


Type EE

Type ES

Type SS



EDDELSTAHL®
Rostfrei
Inox
Stainless
Steel

- 4 Type**
- EE** With 2 internal threads
 - ES** With internal thread / threaded stud
 - SS** With 2 threaded studs

d ₁	h		d ₂	d ₃	Length l	t	
	Type EE	Type ES / SS				GN 356	GN 456
10	-	10	8	M 4	10	4	4
15	15	15	12	M 4	10	4	4
20	15	15	14	M 6	18	6	6
20	20	20	16	M 6	18	6	6
25	20	20	20	M 6	18	6	6
30	20	20	22	M 8	20	8	8
40	25	25	30	M 8	23	8	8
40	30	30	33	M 8	23	8	8
50	30	30	42	M 10	28	10	8
75	40	40	60	M 12	37	12	11

* not available from stock, requires a minimum order quantity

Specification

- Natural rubber (NR), black
 - Vulcanized to the cover plates
 - Temperature resistant up to 80 °C

GN 356

Cover plates, threaded bushings / studs
Steel, zinc-plated, blue passivated

Hardness Shore A ±5

- Soft **40**
- Medium **55**
- Hard **70**

GN 456

Cover plates, threaded bushings / studs
Stainless steel AISI 304

Hardness Shore A ±5

- Soft* **40**
- Medium **55**
- Hard* **70**

• *Elastomer Characteristics* → Page 2158

• *Stainless Steel Characteristics* → Page 2166

• **RoHS**

On request

- Rubber in gray

Information

Rubber buffers GN 356 / GN 456 provide elastic support for equipment such as compressors and pumps.

The tapered shape absorbs side forces better compared with cylindrical rubber buffers. The rubber also does not swell past the cross section d₁ under pressure loads.

see also...

- *Resilient Characteristics* → Page 2140 ff.
- *Rubber Buffers GN 351 / GN 451* → Page 1524
- *Buffer GN 353 / GN 453* → Page 1526 / 1527

How to order (Steel)

1	d ₁
2	h
3	d ₂
4	Type
5	Hardness

GN 356-30-20-22-EE-55

How to order (Stainless steel)

1	d ₁
2	h
3	d ₂
4	Type
5	Hardness

GN 456-50-30-42-ES-55