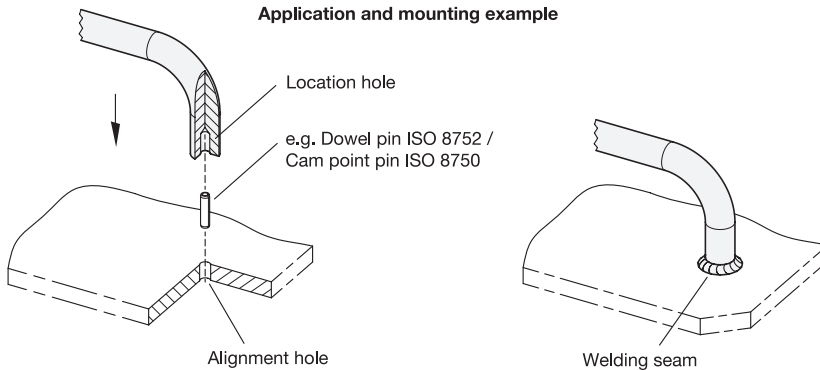


**Application and mounting example**



1

2

$d_1$	Length $l \pm 0,5$			$d_2$ H12	$h$	$r$	$t$
8	64	88	100	3	35	10	5
10	100	125	160	3	43	12	5
12	125	160	200	4	51	14	6
16	125	160	200	4	59	18	6
20	200	250	-	5	68	22	8

**Specification**

- Steel matte shot-blasted
- Stainless Steel AISI 304 matte shot-blasted
- ISO-Fundamental tolerances → Page 1479
- Stainless Steel characteristics → Page 1489
- RoHS

3

**Information**

Cabinet U-handles GN 425.3 are made of bent steel or Stainless Steel sections and are affixed by welding.

The holes  $d_2$  serve, if necessary, for inserting dowel pins or guide pins that provide a simple method for positioning and fixing the cabinet U-handle in place via the alignment holes in the opposing part for the welding process.

Due to the manufacturing process, **special designs** can be supplied even in relatively small quantities.

**How to order**

**GN 425.3-12-160-NI**

- 1  $d_1$
- 2 Length  $l$
- 3 Material