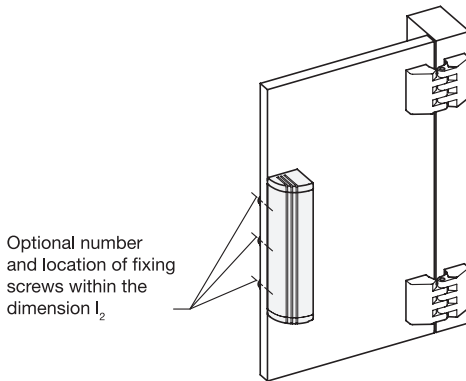




1.1
1.2
1.3
1.4

Example of application



Mounting information

- Minimum screw-in depth: 10 mm
- Max. load (screw) 400 N
- Max. tightening torque: 4 Nm

2.1

Lettering (GN 430.1)

The paper strip can also be used as substrate for common lettering tape in widths below 18 mm.

Go to www.ganter-griff.com/en/service/downloads to open a ZIP-file with different documents (Word®, Open Office, PDF) which you can use to create lettering and labels.

2.2

2.3

2.4

