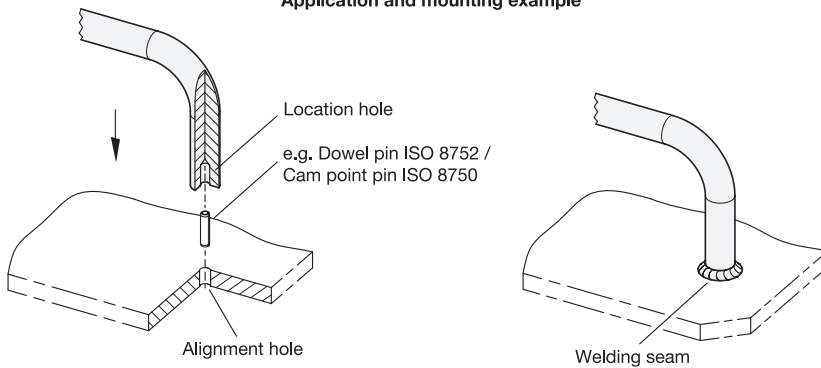


Application and mounting example



1				2		3			
d_1	Length $l \pm 0,5$			h		d_2 H12	r	t	
12	125	160	200	75	110	4	14	6	
16	160	200	300	85	125	4	18	6	

Specification

Stainless steel AISI 304
Matte, shot-blasted



NI

RoHS

On request

- Other dimensions
- Other materials

Cabinet U-handles GN 435.3, tall design, are made from bent round profiles and are fastened by welding. They are designed for applications requiring more height for gripping. For example, this makes it possible to grab or hold the handle while wearing safety gloves. Some dimensions also satisfy the crane access standard DIN EN 13856.

In addition to serving as a handle, it can also be used as a hose guide, retaining bracket or the like.

The holes d_2 serve, if necessary, for inserting dowel pins or guide pins that provide a simple method for positioning and fixing the cabinet U-handle in place via the alignment holes in the opposing part for the welding process.

Technical Information	Page
ISO Fundamental Tolerances	QVX
Load Rating Information	QVX
Stainless Steel Characteristics	QVX

How to order

1	d_1
2	Length l
3	h
4	Material

GN 435.3-16-300-125-NI