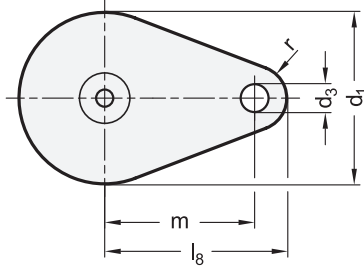
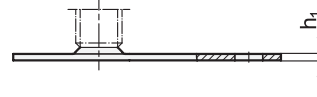


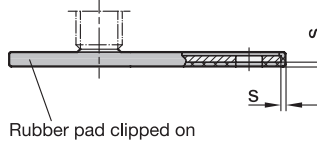
Top view



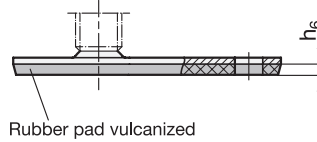
Type D0



Type D1



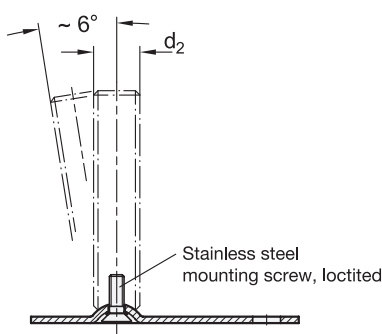
Type D3



EDELSTAHL®  
Rost  
frei  
Inox  
Stainless  
Steel

**4 Type (Base plate)**

- D0** Without rubber pad
- D1** With rubber pad, clipped on, black
- D3** With rubber pad, vulcanized, black



<b>d<sub>1</sub></b>	<b>d<sub>2</sub></b>	<b>l<sub>1</sub></b>				<b>l<sub>2</sub></b>								<b>l<sub>3</sub></b>				<b>l<sub>7</sub></b>	<b>A/F<sub>7</sub></b>	<b>t</b>		
		Version S / SK		Version T / TK and U / UK		Version V / VK								Version W				Vers. X				
50	M 8	40	50	63	-	-	-	-	-	-	-	-	-	-	-	-	-	-	-	25	14	8
50	M 10	50	60	80	100	-	-	-	-	-	-	-	-	-	-	-	-	-	-	28	14	10
50	M 12	60	80	100	125	-	-	-	-	-	-	-	-	-	-	-	-	-	-	32	17	12
50	M 16	-	-	-	-	75	100	125	150	200	250	-	-	-	-	-	-	-	-	37	22	16
60	M 8	40	50	63	-	-	-	-	-	-	-	-	-	-	-	-	-	-	-	25	14	8
60	M 10	50	60	80	100	-	-	-	-	-	-	-	-	-	-	-	-	-	-	28	14	10
60	M 12	60	80	100	125	-	-	-	-	-	-	-	-	-	-	-	-	-	-	32	17	12
60	M 16	-	-	-	-	75	100	125	150	200	250	75	100	125	150	110	135	160	185	37	22	16
80	M 8	40	50	63	-	-	-	-	-	-	-	-	-	-	-	-	-	-	-	26	14	8
80	M 10	50	60	80	100	-	-	-	-	-	-	-	-	-	-	-	-	-	-	29	14	10
80	M 12	60	80	100	125	-	-	-	-	-	-	-	-	-	-	-	-	-	-	32	17	12
80	M 16	-	-	-	-	75	100	125	150	200	250	75	100	125	150	110	135	160	185	38	22	16
80	M 20	-	-	-	-	75	100	125	150	200	250	100	125	150	200	134	159	184	234	45	27	20
80	M 24	-	-	-	-	100	125	150	200	300	-	100	150	200	-	159	209	259	-	-	-	-

**Specification**

- Base plate, plain ground  
Stainless steel AISI 304
- Threaded stem  
Stainless steel AISI 303
- Hex nut ISO 4032  
Stainless steel
- Rubber pad, clipped on  
Black, TPE (Santoprene®)  
≈ 80 Shore A
- Rubber pad, vulcanized  
Black, NBR (Perbunan®)  
70 ± Shore A
- *Load Rating Information* → Page 2145
- *Plastic Characteristics* → Page 2158
- *Stainless Steel Characteristics*  
→ Page 2166
- **RoHS**

**Versions of threaded stem**

<p><b>S</b> Without nut <b>SK</b> With nut</p>	<p><b>T</b> Without nut <b>TK</b> With nut</p>	<p><b>U</b> Without nut <b>UK</b> With nut</p>
<p>External hex at the bottom at <math>d_2</math> M 8, M 10, M 12</p>	<p>Wrench flat at the bottom at <math>d_2</math> M 16, M 20, M 24</p>	<p>Hex socket at the top and wrench flat at the bottom at <math>d_2</math> M 16, M 20, M 24</p>

<p><b>V</b> Without nut <b>VK</b> With nut</p>	<p><b>W</b> With adjustable sleeve</p>	<p><b>X</b> With internal thread</p>
<p>External hex at the top and wrench flat at the bottom at <math>d_2</math> M 16, M 20, M 24</p>	<p>Covered thread and wrench flat at the bottom at <math>d_2</math> M 16</p>	<p>External hex with internal thread at <math>d_2</math> M 8, M 10, M 12, M 16, M 20</p>

$d_1$	$d_2$	$d_3$	$d_5$	$h_1$	$h_3$	$h_4$	$h_5$	$h_6$	$l_4$	$l_5$	$l_6$	$l_8$	$m$	$r$	$s$	A/F <sub>1</sub>	A/F <sub>2</sub>	A/F <sub>3</sub>	A/F <sub>4</sub>	A/F <sub>5</sub>	A/F <sub>6</sub>	
50	M 8 M 10 M 12	13	-	2,5	11	-	-	4	-	-	-	60	45	15	2	17	-	-	-	-	-	
50	M 16	-	-	13	-	2,5	-	17	14	4	-	-	60	45	15	2	-	12	8	-	-	
60	M 8 M 10 M 12	13	-	2,5	11	-	-	4,5	-	-	-	65	50	15	2	17	-	-	-	-	-	
60	M 16	-	-	13	24	2,5	-	17	14	4,5	45	29	65	50	15	2	-	12	8	10	12	20
80	M 8 M 10 M 12	13	-	3	12	-	-	5	-	-	-	85	70	15	2	17	-	-	-	-	-	
80	M 16	-	-	13	24	3	-	18	15	5	45	29	85	70	15	2	-	12	8	10	12	20
80	M 20	-	-	13	30	3	-	19	15	5	56	37	85	70	15	2	-	15	10	13	16	24
80	M 24	-	-	13	35	3	-	22	18	5	67	42	85	70	15	2	-	19	12	17	20	30

**Information**

Leveling feet GN 43 are for use in aggressive environments. The range of combinations of base plates and adjustable spindle versions allows these leveling feet to be used in every situation.

The leveling feet can be screwed to the mounting surface using the fixing lug, which prevents lateral shifting. Moreover, the types with the rubber pad protect sensitive surfaces.

The leveling feet are supplied fully assembled and are not removable.

see also...

- *Leveling Feet GN 42 (Steel, with Fixing Lug)* → Page 1466 / 1468
- *Leveling Feet GN 41 (Stainless Steel, without Fixing Lug)* → Page 1462
- *Leveling Feet GN 43 (Stainless Steel, with Fixing Lug, Rectangular Shape)* → Page 1472
- *Leveling Feet GN 44 / GN 45 (Stainless Steel, without / with Fixing Lug)* → Page 1464 / 1474
- *Insert Bushings GN 448 (Plastic, for Tubes)* → Page 1498 / 1499
- *Insert Bushings GN 992.5 (Stainless Steel, for Tubes)* → Page 1501

<p><b>How to order</b></p> <p><b>GN 43-50-M12-32-D3-X</b></p>	1	$d_1$
	2	$d_2$
	3	$l_1$
	4	Type (Base plate)
	5	Version (Stem)