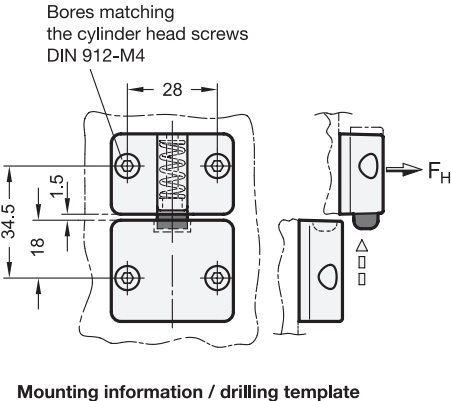
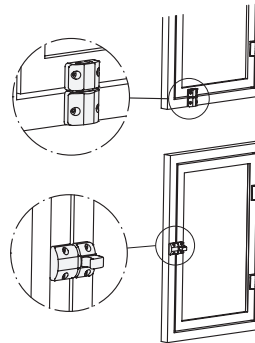


ELESA original design BMS

- 2 Type**
- A** Snap lock without interlock, without finger handle
 - B** Snap lock, with interlock, with finger handle



Examples of application



1

b	Holding force F in N (for type A with bore distance 34 mm)
38	100

Specification

- Plastic
Polyamide PA
- glass-fiber reinforced
- temperature resistant up to 80 °C
- black, matte
- Spring
Stainless Steel
- Plastic characteristics → Page 1483
- RoHS



3

Information

Spring-bolt door latches GN 449 are an easy way of holding swing doors shut.

They are resistant to wear and have a high retaining force.

In the design with finger handle (Type B), the door is held shut with form-locking effect. The door is opened by unlocking the finger handle. This handle often saves using the extra operating handle at the door.

see also...

- Ball-shaped door locks GN 450

How to order

GN 449-38-A-SW

1	b
2	Type
3	Color