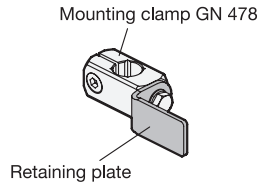
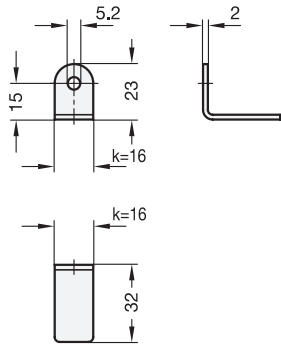
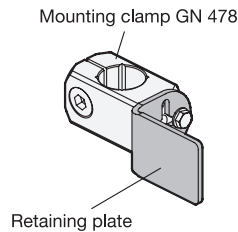
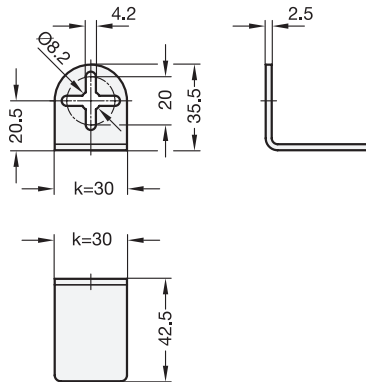


**Swivel width k=16**



**Swivel width k=30**



**Specification**

Stainless steel AISI 303

Matte shot-blasted

RoHS

Retaining plates GN 479.1 are designed as universal mounting elements, e.g. for integrating specific hole patterns.

The attachment bore matches the central thread of clamp mountings GN 478. For k = 30, the cross-shaped slotted holes provide extra adjustability and allow the use of two fixing screws.

Fixing screws are no included parts of the order.

**see also...**

	Page
<b>GN 478</b> Attachment Mounting Clamps	QVX
<b>GN 484</b> Attachment Swivel Mountings Clamps	QVX

**Technical Information**

Range	QVX
Application examples clamp mountings	QVX
Stainless Steel Characteristics	QVX

**How to order**

**GN 479.1-16**

1 k