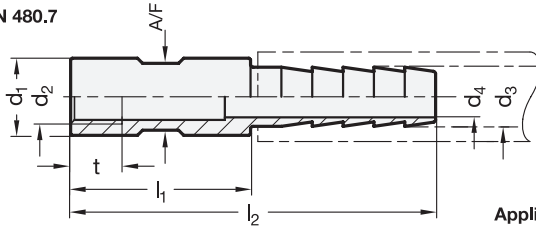
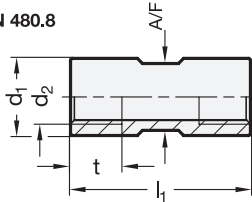


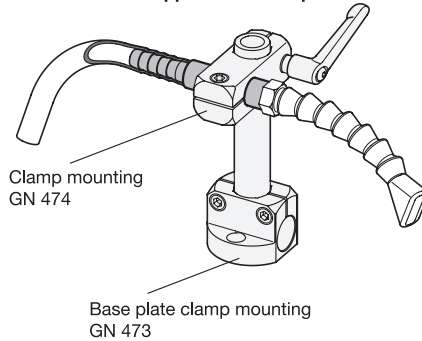
GN 480.7



GN 480.8



Application example



ROSTFREI  
Inox  
Stainless  
Steel

<b>1</b> d <sub>1</sub> h <sub>9</sub>	<b>2</b> d <sub>2</sub> - t GN 480.7 Thread-Ø - Thread depth				<b>2</b> d <sub>2</sub> - t GN 480.8 Thread-Ø - Thread depth		<b>3</b> d <sub>3</sub>	d <sub>4</sub>	l <sub>1</sub>	l <sub>2</sub>	A/F
D 10	M 5 - 8,5	M 6 - 10,5	-	-	M 5 - 8,5	-	4	2,5	30	48	8
D 10	M 5 - 8,5	M 6 - 10,5	-	-	M 6 - 10,5	-	6	4,5	30	57	8
D 12	M 7 - 11,5	M 8 x 1 - 10	-	-	M 7 - 11,5	-	6	4,5	30	57	10
D 12	M 7 - 11,5	M 8 x 1 - 10	-	-	M 8 x 1 - 10	-	9	7	30	63	10
D 15	M 10 x 1 - 10	-	G 1/8 - 8	-	M 10 x 1 - 10	G 1/8 - 8	9	7	35	68	13
D 15	M 10 x 1 - 10	-	G 1/8 - 8	-	-	-	10	8	35	71	13
D 16	M 12 x 1,5 - 14	-	G 1/8 - 8	-	M 12 x 1,5 - 14	G 1/8 - 8	10	8	35	71	14
D 16	M 12 x 1,5 - 14	-	-	-	-	-	12	9	35	71	14
D 16	-	-	G 1/8 - 8	-	-	-	12	8	35	71	14
D 20	M 16 x 1,5 - 15	-	G 3/8 - 12	G 1/4 - 12	M 16 x 1,5 - 15	G 3/8 - 12	12	9	40	76	18
D 20	M 16 x 1,5 - 15	-	G 3/8 - 12	G 1/4 - 12	-	G 1/4 - 12	16	12	40	76	18

**Specification**

- Stainless Steel
  - AISI 304
  - blank, unfinished
- *Stainless Steel characteristics* → Page 1489
- RoHS

**Information**

GN 480.7 hose adapters and/or GN 480.8 thread adapters can attach e.g. air nozzles or coolant nozzles and their feed pipes with clamp mountings and hold them in position.

The d<sub>2</sub> / d<sub>3</sub> thread and barbed fitting diameters are compatible with the most common bolt and internal hose diameters. Hose lines are attached to the barbed fitting with suitable hose clamps, securing them against slipping off.

see also...

- *Base plate clamp mountings GN 473* → Page 1246

How to order (Hose adapter)		<b>1</b> d <sub>1</sub>
<b>1</b>	<b>2</b>	<b>2</b> d <sub>2</sub>
<b>GN 480.7-D20-M12x1,5-16</b>		<b>3</b> d <sub>3</sub>

How to order (Thread adapter)		<b>1</b> d <sub>1</sub>
<b>1</b>	<b>2</b>	<b>2</b> d <sub>2</sub>
<b>GN 480.8-D12-M12x1,5</b>		