

- 3 Type**
- R1** Right hand thread, shaft journal at one end
  - R2\*** Right hand thread, shaft journal at both ends
  - L1\*** Left hand thread, shaft journal at one end
  - L2\*** Left hand thread, shaft journal at both ends

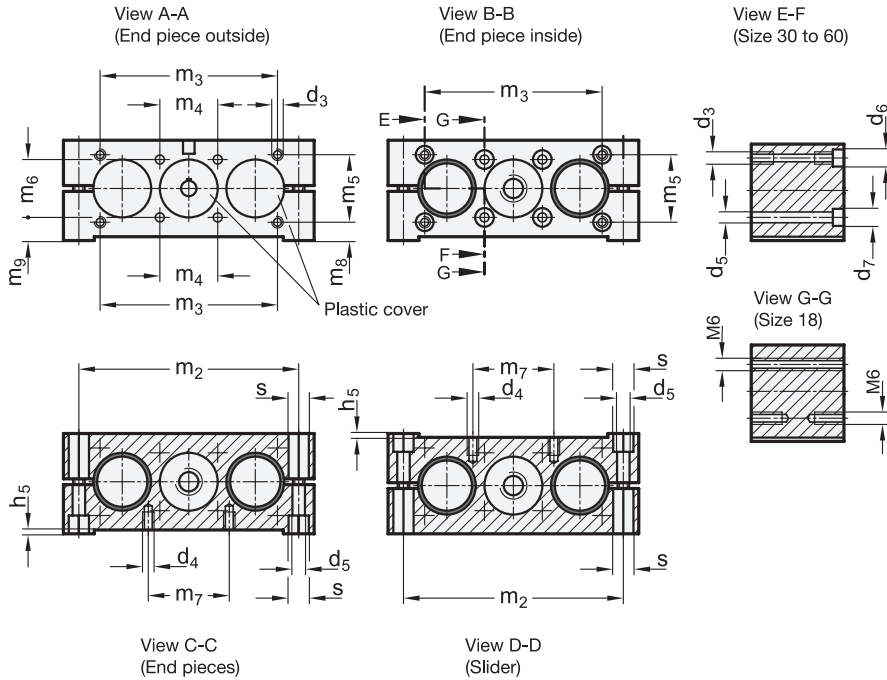
**1 2**

$d_1$	$l_1$ Travel (Adjustable stroke of the slider) Standard length					Max. stroke	Shaft thread	$b$	$d_2$	$d_3^{**}$	$d_4^{***}$	$d_5$	$d_6$	For screw DIN 912
18	100	150	200	250	420		TR10x3	28	6	-	M 5	5,3	-	-
30	100	150	200	300	1500		TR14x4	50	8	M 6	M 6	6,5	9	M 5
40	100	150	200	300	2650		TR20x4	60	12	M 8	M 8	8,5	13,5	M 6
50	100	150	200	300	2760		TR20x4	72	12	M 10	M 8	8,5	13,5	M 8
60	300	400	500	-	2740		TR25x5	80	14	M 10	M 10	10,5	13,5	M 8

$d_1$	$d_7$	For screw DIN 912	$h_1$	$h_2$	$h_3$	$h_4$	$h_5$	$l_2$ Total length	$l_3$	$l_4$	$m_1$	$m_2$	$m_3$	$m_4$
18	-	-	28	29	1	14,5	0,75	$3xb+l_1$	81	16	$2xb+l_1$	68	-	20
30	10,5	M 6	52	54	2	27	0,85	$3xb+l_1$	130	16	$2xb+l_1$	114	92	30
40	13,5	M 8	60	63	3	31,5	1,05	$3xb+l_1$	180	17	$2xb+l_1$	160	132	39
50	13,5	M 8	72	76	4	38	1,2	$3xb+l_1$	206	18	$2xb+l_1$	184	150	46
60	16,5	M 10	86	90	4	45	1,35	$3xb+l_1$	240	19	$2xb+l_1$	216	185	55

$d_1$	$m_5$	$m_6$	$m_7$	$m_8$	$m_9$	$s$ Hex	Parallel key DIN 6885	Installation kit	Position indicator	Handwheel	
18	-	20	18	-	4,5	8	A2x2x12	GN 491.1	GN 955	-	GN 9234
30	35	30	42	9,5	12	10	A2x2x12	GN 491.1	GN 954	GN 9054	GN 9234
40	38	39	62	12,5	12	13	A4x4x12	GN 491.1	GN 953	GN 9053	GN 9234
50	50	46	62	13	15	13	A4x4x12	GN 491.1	GN 953	GN 9053	GN 9234
60	60	55	74	14	16,5	17	A5x5x16	GN 491.1	GN 953	GN 9053	GN 9234

\*\*\* usable depth of thread min.  $1,5 \times d_4$  \*\* usable depth of thread from both sides min.  $2 \times d_3$  \* usually not available from stock



**Specification**

- Guide tubes DIN 2391  
Steel, chrome-plated
- End pieces / Slider  
Aluminum
  - Powder coated  
Black, RAL 9005, textured finish
  - Fixing surface / mounting surface  
machined, plain finish
- Spindle with trapezoidal thread
  - Steel, plain finish
  - With ball-bearing
  - Positioning accuracy  $\pm 0,2$  mm/300 mm travel
- Follower nut, gun metal
- Socket cap screws DIN 912  
Steel, zinc plated
- Hex nuts DIN 985  
Steel, zinc plated  
Self-locking with polyamide ring
- RoHS



**Information**

In addition to the standard travel lengths specified in the above table for the double tube linear actuator GN 491 any length inside the maximum-travel length is available.

In order to measure the movement and positioning of the sliders, digital position indicators can be added.

see also...

- *Mounting Facilities of the End Pieces* → Page 1998
- *Technical Information / Load Data* → Page 1994 / 1995
- *Double Tube Linear Actuators GN 492 (with Double Slider)* → Page 2000
- *Handwheels GN 9234 (for Linear Actuators)* → Page XYZ
- *Position Indicators GN 953 / GN 954 / GN 955* → Page 396 ff.
- *Position Indicators GN 9053 / GN 9054* → Page 402 / 404

**Accessory**

- Installation Kits GN 491.1  
(for Position Indicators) → Page 2003

How to order		1	d <sub>1</sub>
		2	l <sub>1</sub>
<b>GN 491-30-200-R1-SCR</b>		3	Type
		4	Material

3.1  
3.2  
3.3  
3.4  
3.5  
3.6  
3.7  
3.8  
3.9

