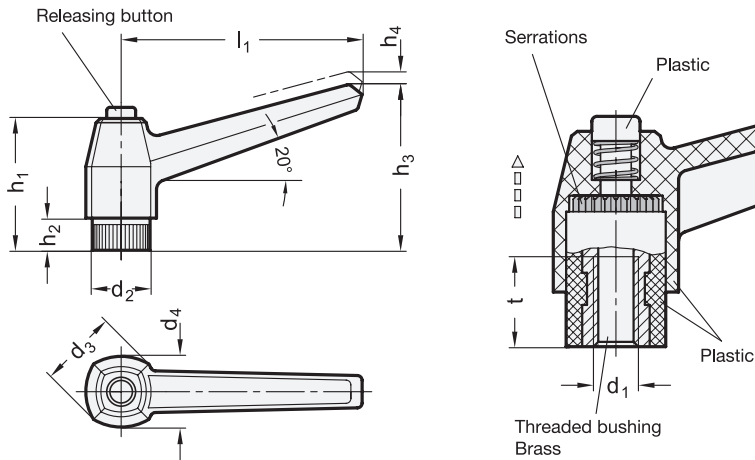




ELESA Original design MRX.



1

2

$l_1$	$d_1$				$d_2$	$d_3$	$d_4$	$h_1$	$h_2$	$h_3$	$h_4$ Stroke	$t$ min.
42	M 5	M 6	-	-	12	18	16	27	6	32	3,5	10
63	M 6	M 8	-	-	15	23	20	34	8	43	4	14
80	M 8	M 10	M 12	-	19	28	24	42	10	54	4	17
100	M 10	M 12	M 14	M 16	25	33	31	48	12	65	5	20

**Specification**

3

- Handle  
Plastic  
Technopolymer (Polyamide PA)  
- glass fiber reinforced  
- temperature resistant up to 120 °C  
- black, RAL 9005, matte ● **SW**
- Threaded bushing  
Brass
- Releasing button  
Plastic, black
- *Plastic characteristics* → Page 1483
- **RoHS**

**On request**

- with threaded bushing Stainless Steel
- different colors

**Information**

Adjustable hand levers GN 503 are ideal whenever parts have to be clamped in a confined space or in a particular lever position. The centre insert is connected to the lever via serrations which can easily be disengaged.

Pulling the lever, disengages the serrations and allowing it to be swivelled to the ideal clamping position. On releasing the lever the serrations automatically re-engage.

Its use is, however, limited to applications where dismantling of the lever for installation is not required. The threaded insert can after disengagement be screwed in using the serration of the insert.

How to order

**GN 503-80-M10-SW**

- 1  $l_1$
- 2  $d_1$
- 3 Color