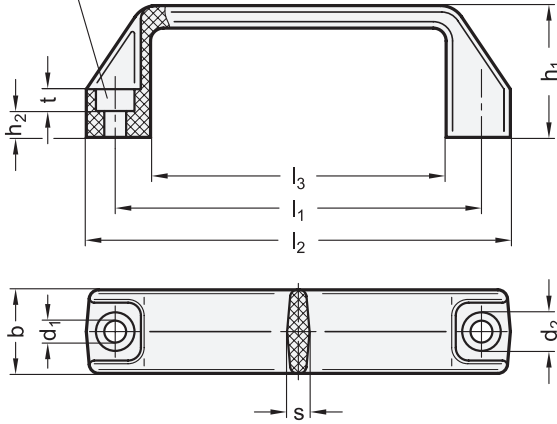


Bore for socket cap screw ISO 4762



elesa  
Original design M.443



Specification ESD

<sup>2</sup> l <sub>1</sub>	<sup>3</sup> d <sub>1</sub>	PA / PP	SV	ESD	b	d <sub>2</sub>	h <sub>1</sub>	h <sub>2</sub>	l <sub>2</sub>	l <sub>3</sub>	s	t
94 -1	6,5	6,5	6,5	6,5	21	10,5	38	6	109	74	6	7
117 ±1	6,5	6,5	-	-	26	10,5	41	9	137	93	7	6
117 ±1	8,5	8,5	8,5	8,5	26	13,5	41	6,5	142	100	7	8,5
122 ±1	8,5	-	-	-	26	13,5	41	6,5	142	100	7	8,5
132 ±1	8,5	8,5	-	-	27	13,5	45	7,5	150	108	7	8,5
140 ±1	8,5	-	-	-	27	13,5	46	7,5	160	113	7	8,5
160 ±1	8,5	-	-	-	28	13,5	50	7,5	179	132	7,5	8,5
179 ±1	8,5	8,5	-	-	28	13,5	50	8,5	196	151	7,5	8,5
235 ±1	10,5	-	-	-	30	16,5	54	9,5	260	201	8,5	10,5

Specification

- Plastic, Polyamide PA**
- Glass fiber reinforced
  - Operating temperature -30 °C to +130 °C
  - Color
    - Black, RAL 9005, matte finish ● SW
    - Orange, RAL 2004, matte finish ● OR
    - Gray, RAL 7031, matte finish ● GR
    - Red, RAL 3000, matte finish ● RT
    - Green, RAL 6017, matt finish ● GN

- Plastic, Polypropylene PP**
- Glass fiber reinforced
  - Operating temperature -20 °C to +100 °C
  - Black, RAL 9005, matte finish ● SW

- Plastic, Polyamide (PA) SV**
- Glass fiber reinforced
  - Operating temperature -30 °C to +150 °C
  - Black, RAL 9005, matte finish ● SW

- Plastic, Polyamide (PA) ESD**
- Antistatic
  - Glass fiber reinforced
  - Operating temperature -30 °C to +130 °C
  - Black, RAL 9005, matte finish ● SW

RoHS

Technical Information	Page
Strength Properties	QVX
Plastic Characteristics	QVX

Cabinet U-handles GN 528 are offered in various plastic versions. Cabinet U-handles of the type PP (Polypropylene) are, however, less viable from a mechanical and thermal viewpoint, but pricewise they are more competitive but are quite adequate for many applications. Cabinet U-handles of the type SV are made of a plastic material type UL 94 V-0 which is self-extinguishing. The classification to UL 94 V-0 (Underwriters Laboratories) covers the properties and durability against fire. According to their tests a plastic test piece of a defined shape and dimension is set alight in a vertical position whereby the flame on a scale from V-0 has to extinguish itself within 10 seconds without leaving any burning droplets. Cabinet U-handles type ESD are made out of a conductive plastic material which prevents an electrostatic loading. The imprint ESD on the surface of the handle defines the special antistatistical properties according to IEC 61340-5-1.

see also...	Page
GN 728 Cabinet U-Handles (Aluminum, Mounting from the Back or the Operator's Side)	QVX
GN 728.5 Cabinet U-Handles (Stainless Steel, Mounting from the Back or the Operator's Side)	QVX

How to order	1	Material
<sup>1</sup>	2	l <sub>1</sub>
<sup>2</sup>	3	d <sub>1</sub>
<sup>3</sup>	4	Color

**GN 528-PA-117-6,5-SW**