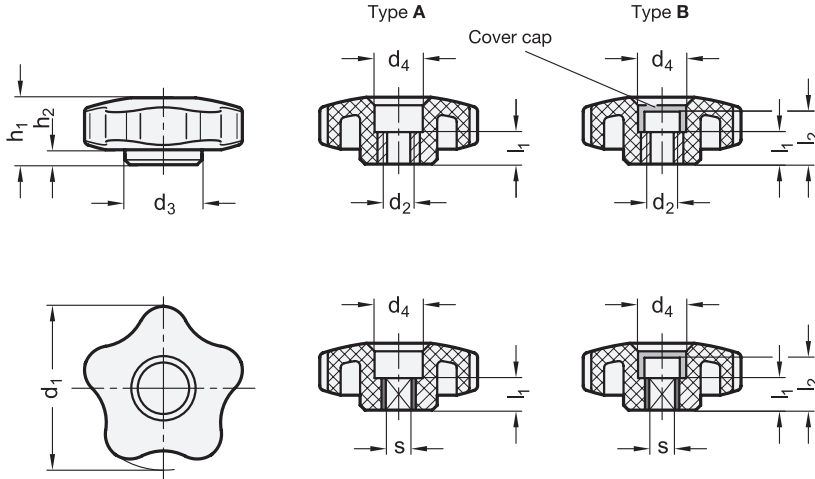


elesa

ELESA Original design VCRT.

**3 Type**

- A without cover cap
- B with cover cap



<b>1</b> d <sub>1</sub>	<b>2</b> d <sub>2</sub> Thread		<b>2</b> s H9 Square				d <sub>3</sub>	d <sub>4</sub> -0,5	h <sub>1</sub>	h <sub>2</sub>	l <sub>1</sub>	l <sub>2</sub>
40	M 8	-	V 6	-	-	-	17	13	17	1	10	14,5
50	M 8	-	V 6	V 7	-	-	19	16	20	1,2	10	17,5
63	M 10	M 12	V 6	V 7	V 8	-	22,5	20	21,5	1,3	10	19
74	M 10	M 12	V 7	V 8	V 9	V 10	26,5	20	24,5	2	14,5	21
95	M 16	-	V 8	V 10	-	-	32	18	29,5	4,5	14,5	26,5

**Specification**

- Plastic  
Technopolymer (Polyamide PA)  
- glass fiber reinforced  
- temperature resistant up to 130 °C  
- black, matte
- Threaded bushing / square bushing  
Brass
- ISO-Fundamental tolerances → Page 1479
- Plastic characteristics → Page 1483
- RoHS

**On request**

- Cover caps in other colors  
(standard color: black)

**Information**

The cover caps of the star knobs GN 5331 are in general supplied in black. Other colors and special operating symbols are available on request (minimum quantities).

How to order

**GN 5331-63-M10-A**

- 1** d<sub>1</sub>
- 2** d<sub>2</sub> (s)
- 3** Type

