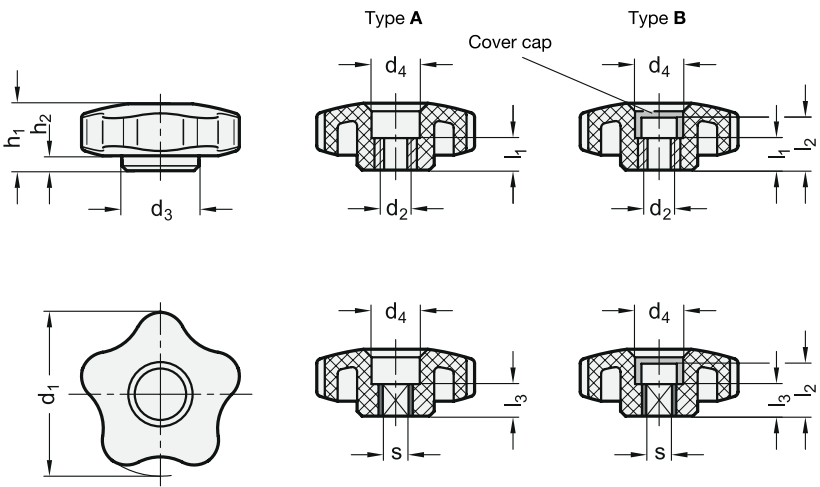




ELESA Original design VCRT.

3 Type
A without cover cap
B with cover cap



d ₁	d ₂ Thread		s H9 Square				d ₃	d ₄ -0,5	h ₁	h ₂	l ₁	l ₂	l ₃ +0,5
	M 5	M 6	V 5	V 6	-	-							
32	M 5	M 6	V 5	V 6	-	-	17	11	17	1	8	13,5	6,5
40	M 6	M 8	V 6	-	-	-	17	13	17	1	10	14,5	9,5
50	M 8	M 10	V 6	V 7	-	-	19	16	20	1,2	10	17,5	9,5
63	M 10	M 12	V 6	V 7	V 8	-	22,5	20	21,5	1,3	10	19	9,5
74	M 10	M 12	V 7	V 8	V 9	V 10	26,5	20	24,5	2	15	21	13,5
95	M 16	-	V 8	V 10	-	-	32	18	29,5	4,5	15	26,5	13,5

Specification

- Plastic Technopolymer (Polyamide PA)
 - glass fiber reinforced
 - temperature resistant up to 130 °C
 - black, matte
- Threaded bushing / square bushing Brass
- Color of the cover cap (only type B):
 - - black, RAL 9005, matte
 - DOR orange, RAL 2004, matte
 - DGR gray, RAL 7035, matte
 - DGB yellow, RAL 1021, matte
 - DBL blue, RAL 5024, matte
 - DRT red, RAL 3000, matte
 - DGN green, RAL 6017, matte
- ISO-Fundamental tolerances → Page 1479
- Plastic characteristics → Page 1483
- RoHS

4

Information

Characteristic of the star knobs GN 5331 is the 5 lobes. They not only give the knobs a specific style but this shape has also enabled the operator to achieve a higher torque.

How to order (Cover cap black)	1	d ₁
GN 5331-63-M10-B	2	d ₂ (s)
	3	Type

How to order (Cover cap colored)	1	d ₁
GN 5331-74-M12-B-DRT	2	d ₂ (s)
	3	Type
	4	Color of the cover cap