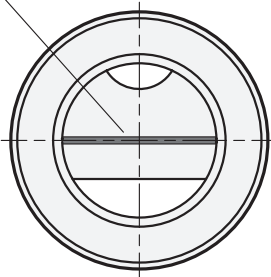
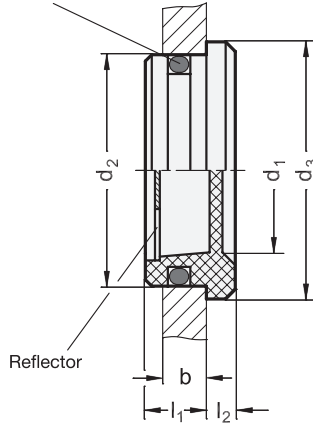


red oil level mark



O-ring



ELESA Original design HE.

4 Type

- A with reflector
- B without reflector

2

3

d ₁ Window glass	d ₂ H11 Bore-Ø	d ₃	b min.	l ₁	l ₂
9	17	18	5	7	3
12	20	21	6	7	3
17	26	28	6	7	3
20	30	32	7	8	4
25	35	38	8	9	4
28	40	43	9	10	4
32	45	47	9	11	5

Specification

- Body
Plastic
Crystal clear Polycarbonat (PC)
- high mechanical strength
- temperature resistant up to 100 °C
- not solvent resistant
- not alcohol resistant
- O-Ring
Rubber NBR (Perbunan®)
- Reflector
Aluminum
- white lacquered
- with red mark for oil level
- ISO-Fundamental Tolerances → Page 1263
- Elastomer characteristics → Page 1483
- Plastic characteristics → Page 1483
- RoHS compliant

NO

1

Information

This oil sight glass GN 542 do not require a thread.
The window glass is recessed, giving better protection to the window.

Assembly instruction:

Press in the oil sight glass manually, then possibly use an intermediate layer such as wood or a hammer. Chamfer hole 1x45° and grease slightly the outside surface of the O-ring to make assembly easier.

How to order

1 2 3 4
GN 542-NO-17-26-A

1	Material
2	d ₁
3	d ₂
4	Type

3.1
3.2
3.3
3.4
3.5
3.6
3.7
3.8
3.9