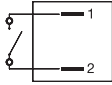
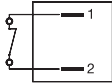


### Electrical specifications

Type NO  
normally open



Type NC  
normally closed

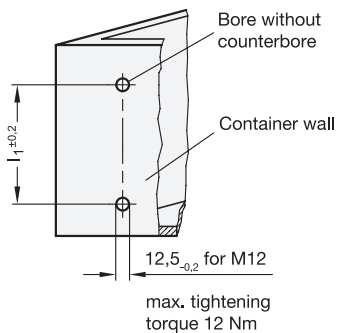
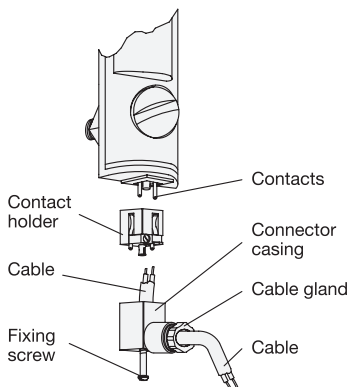


max. switching voltage / max. switched current:	150 Vac, 100 Vdc / 1 A (NO) 150 Vac, 150 Vdc / 2 A (NC)
max. switching capacity:	10 W (NO) / 20 W (NC)
Connector plug:	DIN EN 175301-803 Type C
Protection class:	IP 65
Cable gland:	PG 7, for cable-Ø from 6 to 7 mm
max. cable cross-section:	2 x 1,5 mm <sup>2</sup>

Caution: Magnet fields impair the proper function!

### Assembly sequence for cable connection

1. Loosen the fixing screw and pull off the connector plug.
2. Push the contact holder out off the connector casing.
3. Loosen the cable gland, feed the cable through the connector casing and connect to the contact holder.
4. Push the contact holder back into the connector casing and tighten the cable gland for strain relief grip / seal.
5. Push the connector plug over the contacts of the oil level indicator and secure with fixing screw.



### Assembly instructions

Two 12,5 Ø bore holes in the container wall are sufficient to mount the GN 650.3 oil level indicator with nuts.

The oil level indicator can also be mounted directly, i.e. without nuts, if the container wall has two M12 threads.

