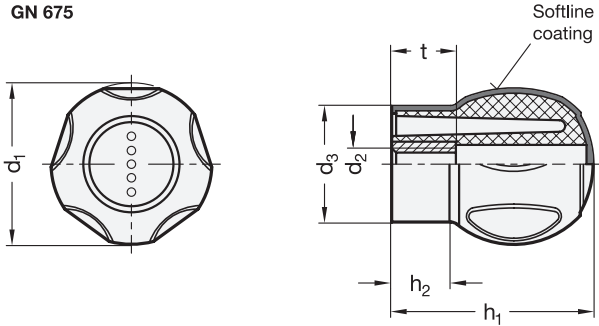


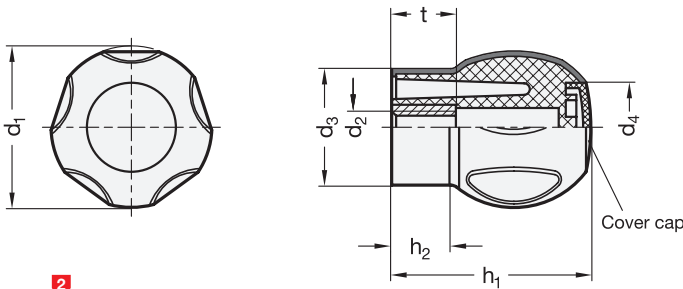
GN 675



elesa
Original design EBK.SOFT



GN 675.1



d ₁	d ₂			d ₃	d ₄	h ₁		h ₂ ≈	t
	M 6*	M 8	M 10			GN 675	GN 675.1		
43	M 6*	M 8	M 10	32,5	20	55	53,5	17,5	18
50	M 8	M 10	M 12	37	25	64	60	20	26

* only available for GN 675

Specification

Handle

Base body
Plastic, Polypropylen (PP)

Softline coating

- Thermoplastic elastomer (TPE)
- Chemically bonded with base body
- FDA compliant plastic granulate
- Operating temperature 0 °C to +80 °C
- Black, matte finish
- Hardness 70 Shore A

Threaded bushing

Brass

GN 675.1

Cover cap

- Plastic, Polypropylen (PP)
- Transparent
- Orange, RAL 2004, matte finish
- Gray, RAL 7035, matte finish
- Yellow, RAL 1021, matte finish
- Blue, RAL 5024, matte finish
- Red, RAL 3000, matte finish
- Green, RAL 6017, matte finish

- DTR
- DOR
- DGR
- DGB
- DBL
- DRT
- DGN

RoHS

Accessory

GN 517.1 Positioning and Control Symbols QVX

The design of the ball handles GN 675 / GN 675.1 matches the product family of the Ergostyle®. The Softline coating makes the control knobs particularly user-friendly and ergonomic.

The soft, slip-proof contact area improves the contact both in hot (hand perspiration) and in dry ambient conditions, in the event of oily surfaces and even high or low temperatures.

The Softline ball handles are suitable for use both as operating elements and for clamping. The „hard“ plastic core guarantees the perfect anchoring engagement of the threaded bushing, also under heavier loads.

The transparent cover cap of GN 675.1 allows symbols to be placed underneath.

see also...

GN 675 Ball Handles with Threaded Stud QVX

Technical Information

Product Family Ergostyle® QVX

Product Family Softline QVX

Plastic Characteristics QVX

How to order (Without cover cap)	
1	d ₁
2	d ₂

GN 675-50-M10

How to order (With cover cap)	
1	d ₁
2	d ₂
3	Color of the cover cap

GN 675.1-50-M8-DGR