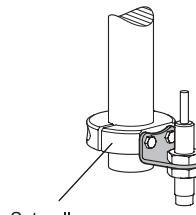
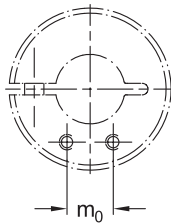


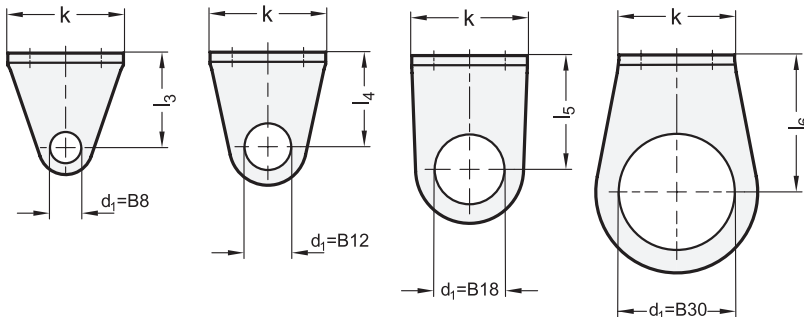
Top views for various bore- $\varnothing d_1$



Set collar  
GN 7062.1 / GN 7072.1



**3 Type**  
L angled



**1**

**2**

| $m_0$ | $d_1 +0,1$ |      |      |      | $k$ | $d_2$ | $l_1$ | $l_2$ | $l_3$ | $l_4$ | $l_5$ | $l_6$ | $m$ | $s$ |
|-------|------------|------|------|------|-----|-------|-------|-------|-------|-------|-------|-------|-----|-----|
| 8     | B 8        | B 12 | -    | -    | 14  | 3,5   | 13    | 9,5   | 15    | 19    | -     | -     | 8   | 2   |
| 10    | B 8        | B 12 | B 18 | -    | 18  | 4,5   | 14,5  | 10,5  | 19    | 24,5  | 29,5  | -     | 10  | 2   |
| 12    | B 8        | B 12 | B 18 | B 30 | 23  | 4,5   | 17    | 12,5  | 19    | 24,5  | 29,5  | 35,5  | 12  | 2,5 |
| 18    | B 8        | B 12 | B 18 | B 30 | 30  | 5,5   | 18,5  | 12,5  | 24,5  | 24,5  | 29,5  | 35,5  | 18  | 2,5 |

**Specification**

- Stainless Steel AISI 304 matte shot-blasted
- *Stainless Steel characteristics* → Main catalogue page 1489
- RoHS

**Information**

The Stainless Steel-Sensor holders GN 7062.10 are designed for holding sensors attached with two lock nuts.

The holes  $d_2$  match the extension-tapped holes of the shaft collars GN 7062.1 / GN 7072.1 in measurement and facilitate axial or radial positioning of sensors.

see also...

- *Semi-split Stainless Steel-Shaft collars GN 7062.1* (with extension-tapped holes) → Page 13
- *Split Stainless Steel-Shaft collars GN 7072.1* (with extension-tapped holes) → page 20

How to order

**GN 7062.10-B18-30-L**

|          |       |
|----------|-------|
| <b>1</b> | $d_1$ |
| <b>2</b> | $k$   |
| <b>3</b> | Type  |