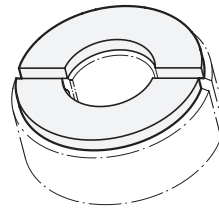
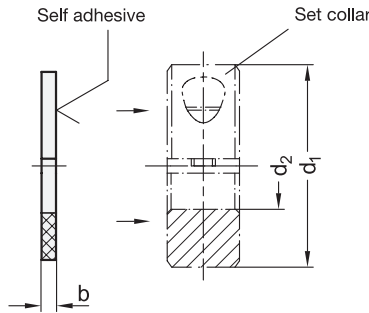
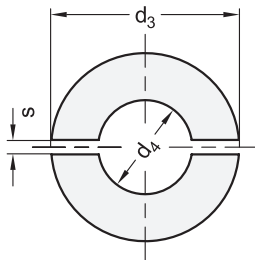


**GN 7072.30**



1

2

Dimension of matching set collars			Dimension dampening washers				
d <sub>1</sub>	d <sub>2</sub>		d <sub>3</sub>	d <sub>4</sub>		b ±0,2	s
	Bore series 1	Bore series 2		Bore series 1	Bore series 2		
30	B 12	-	28	13	-	2	2,1
32	B 14	-	30	15	-	2	2,1
36	B 15	B 16	34	16	17	2	2,1
42	B 18	B 20	39	19,5	21,5	3	3
48	B 22	B 25	45	23,5	26,5	3	3
55	B 28	B 30	52	29,5	31,5	3	3
60	B 32	B 35	57	33,5	36,5	3	4
65	B 40	-	62	41,5	-	3	4

**Specification**

- Elastomer (PUR)
  - 70 Shore A
  - temperature resistant up to 80 °C
  - transparent
- Adhesive film
  - acrylate dispersion, solvent-free
  - strong adhesion
- Elastomer characteristics
  - Main catalogue page 1483
- RoHS

**Information**

Dampening washers GN 7062.30 are designed as accessories for split and semi-split set collars and are attached with the help of an adhesive film, preferably on the groove-less side of the set collar. They absorb mild shocks and have a sound-dampening effect when the set collars come into contact with other components.

Generally, after the protective film is removed, the dampening washers can be attached to any suitable and clean surface.

Semi-split set collars GN 7062.3 are generally offered with assembled dampening washers.

How to order (for semi-split set collars)	1	d <sub>1</sub>
<b>GN 7062.30-42-B18</b>	2	d <sub>2</sub>

How to order (for split set collars)	1	d <sub>1</sub>
<b>GN 7072.30-42-B18</b>	2	d <sub>2</sub>

3.1

3.2

3.3

3.4

3.5

3.6

3.7

3.8

3.9

