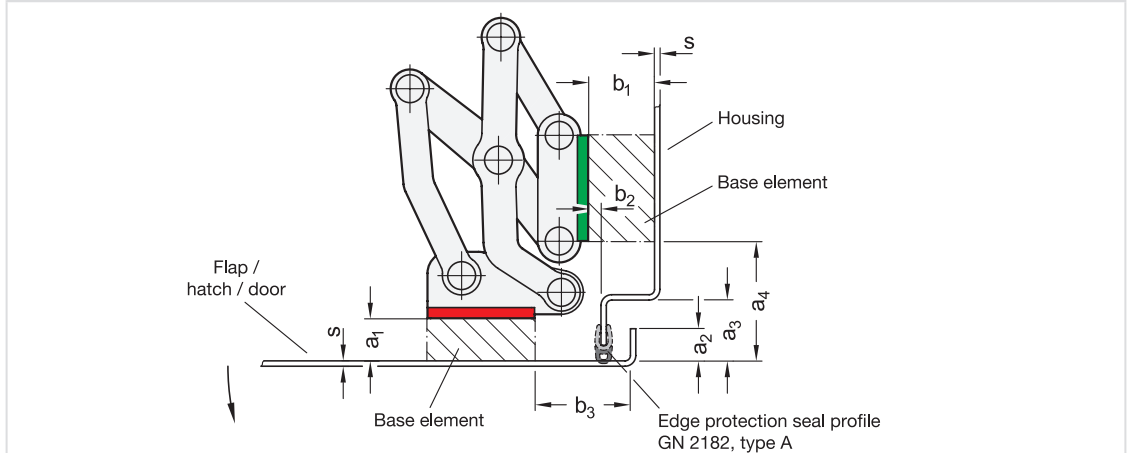


Four common sheet metal designs are shown below as examples of the many possibilities. These show the installation of a type L hinge which is also valid for type R. Multiple-joint hinges can be mounted to the housing with the slots on the fixing angle piece either perpendicular or parallel to the hinge axis, resulting in different pivoting characteristics. Recesses within the range of motion of the hinge arms as well as enlarged base elements open up additional design possibilities.

The final function check must be done by the user with CAD or a test setup since various factors, such as the compression of the edge protector sealing profiles, adjustment options and part tolerances, cannot be entirely taken into account.

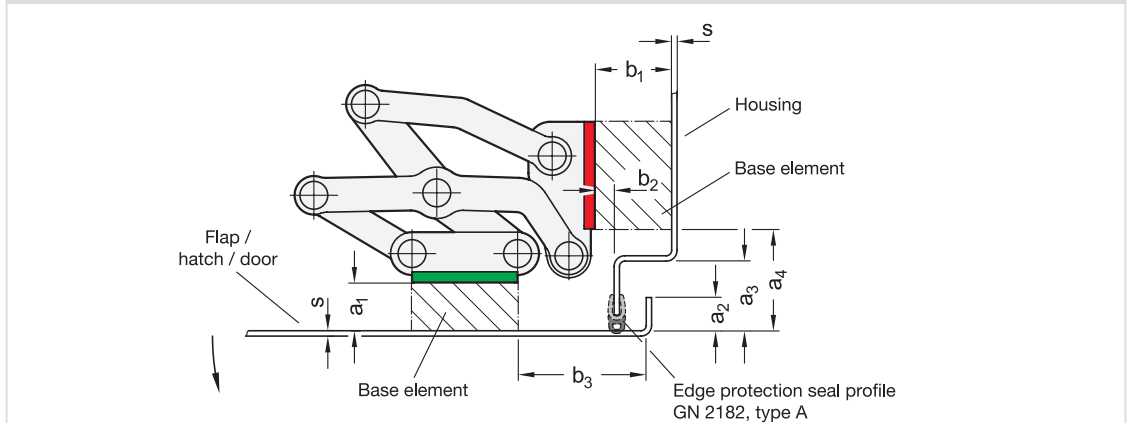
Example 1 - Flush mounted door with edge protector seal on the housing

Fixing angle piece with slots perpendicular to the hinge axis on the housing



l_1	a_1	a_2	a_3	a_4	b_1	b_2	b_3	s
40	14,5	10	16 ... 35	43	14 ... ∞	0	28,5	1,5
50	19	12	16 ... 48	55	14 ... ∞	0	38	2
60	28	20	22 ... 70	77	17 ... ∞	2	45	2

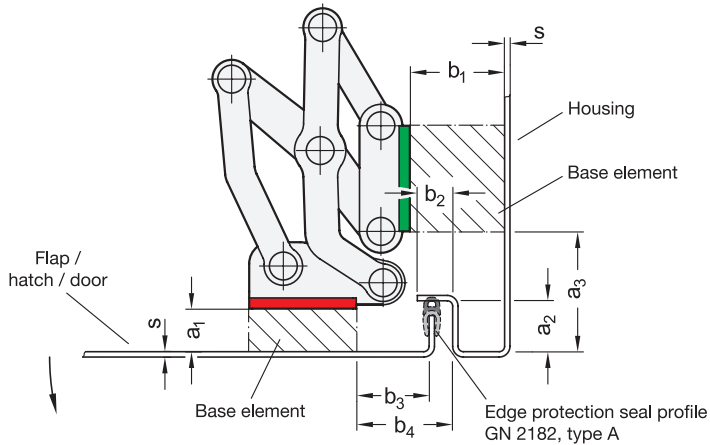
Fixing angle piece with slots parallel to the hinge axis on the housing



l_1	a_1	a_2	a_3	a_4	b_1	b_2	b_3	s
40	-	-	-	-	-	-	-	-
50	17	10	17 ... 35	42	14 ... ∞	0	50	2
60	25	14	25 ... 46	53	19 ... ∞	2	68	2

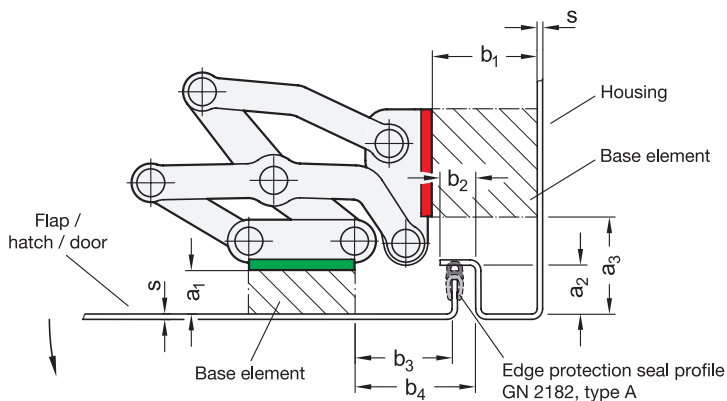
Example 2 - Inset door with edge protector seal on the flap / hatch / door

Fixing angle piece with slots perpendicular to the hinge axis on the housing



l_1	a_1	a_2	a_3	b_1	b_2	b_3	b_4	s
40	-	-	-	-	-	-	-	-
50	16	19	52	34 ... ∞	12	27	35	2
60	22	27	71	42 ... ∞	14	30	38	2

Fixing angle piece with slots parallel to the hinge axis on the housing

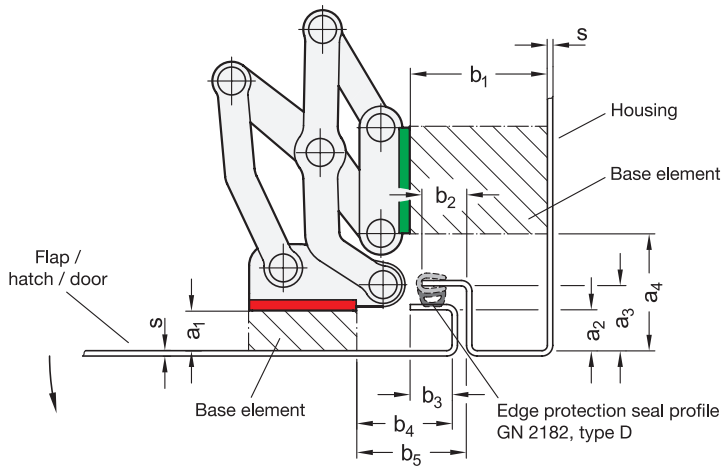


l_1	a_1	a_2	a_3	b_1	b_2	b_3	b_4	s
40	-	-	-	-	-	-	-	-
50	11	16	36	32 ... ∞	12	40	47	2
60	16	21	44	38 ... ∞	14	52	60	2



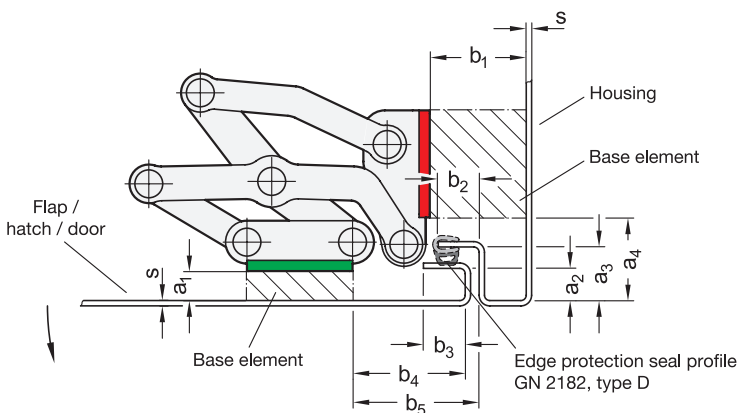
Example 3 - Inset door with edge protector seal on the housing

Fixing angle piece with slots perpendicular to the hinge axis on the housing



l_1	a_1	a_2	a_3	a_4	b_1	b_2	b_3	b_4	b_5	s
40	-	-	-	-	-	-	-	-	-	-
50	14	14	22	50	43 ... ∞	15	14	38	42	2
60	21	24	32	70	52 ... ∞	16	16	40	44	2

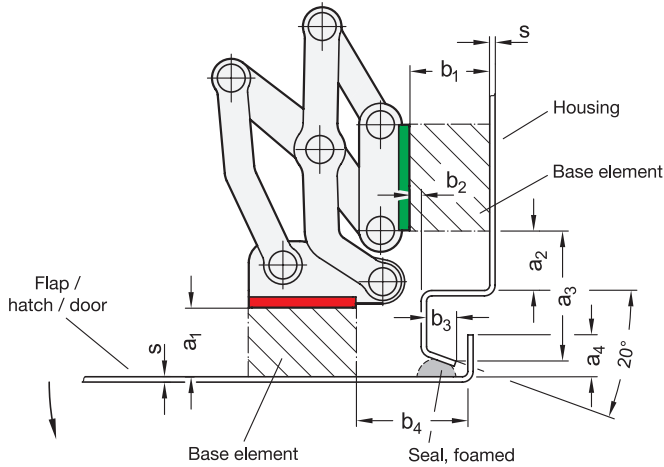
Fixing angle piece with slots parallel to the hinge axis on the housing



l_1	a_1	a_2	a_3	a_4	b_1	b_2	b_3	b_4	b_5	s
40	-	-	-	-	-	-	-	-	-	-
50	11	12	20	36	40 ... ∞	14	12	47	51	2
60	16	20	28	44	50 ... ∞	16	16	63	67	2

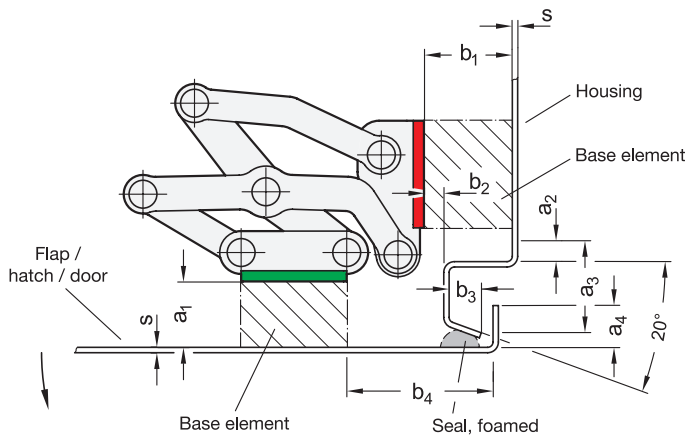
Example 4 - Inset door with foam seal on the flap / hatch / door

Fixing angle piece with slots perpendicular to the hinge axis on the housing



l_1	a_1	a_2	a_3	a_4	b_1	b_2	b_3	b_4	s
40	22	5 ... 25	46,9	10	14 ... ∞	0	8	30	1,5
50	31	5 ... 33	63,3	14	18 ... ∞	2	12	43	2
60	40	5 ... 47	85,1	22	19 ... ∞	2	14	48	2

Fixing angle piece with slots parallel to the hinge axis on the housing



l_1	a_1	a_2	a_3	a_4	b_1	b_2	b_3	b_4	s
40	-	-	-	-	-	-	-	-	-
50	26	5 ... 21	47	12	20 ... ∞	4	11	56	2
60	35	5 ... 24	59	20	24 ... ∞	5	14	73	2

