

elesa

ELESA Original design EPR-SH/F-SH



2 Type

- O** without closing flap
- S** with closing flap (only in size $b_1 = 120$ available)

1

b_1	b_2	b_3	h_1	h_2	l_1	l_2	l_3	m_1	F_1 in N	F_2 in N
110 -1	94	96	73	42	24	20	21,5	64	1300	500
120	94	103	95	58	28,5	24	26,5	64	1200	400

Specification

- Plastic Technopolymer (Polyamide PA)
 - glass fiber reinforced
 - temperature resistant up to 100 °C
 - black-gray, matte RAL 7021
- Closing flap (type S) with Stainless Steel torque spring
- Color of the cover (matte):
 - black-gray, RAL 7021
 - orange, RAL 2004
 - gray, RAL 7035
 - yellow, RAL 1021
 - blue, RAL 5024
 - red, RAL 3000
 - green, RAL 6017
- Plastic characteristics → Page 1483
- RoHS

3

Information

The design of the GN 733 gripping trays matches the product family of Ergostyle®.

The removable cover plate shrouds the fixing screws.

The values of the load capacities F_1 and F_2 were tested with wall thickness $s = 1.5$ mm.

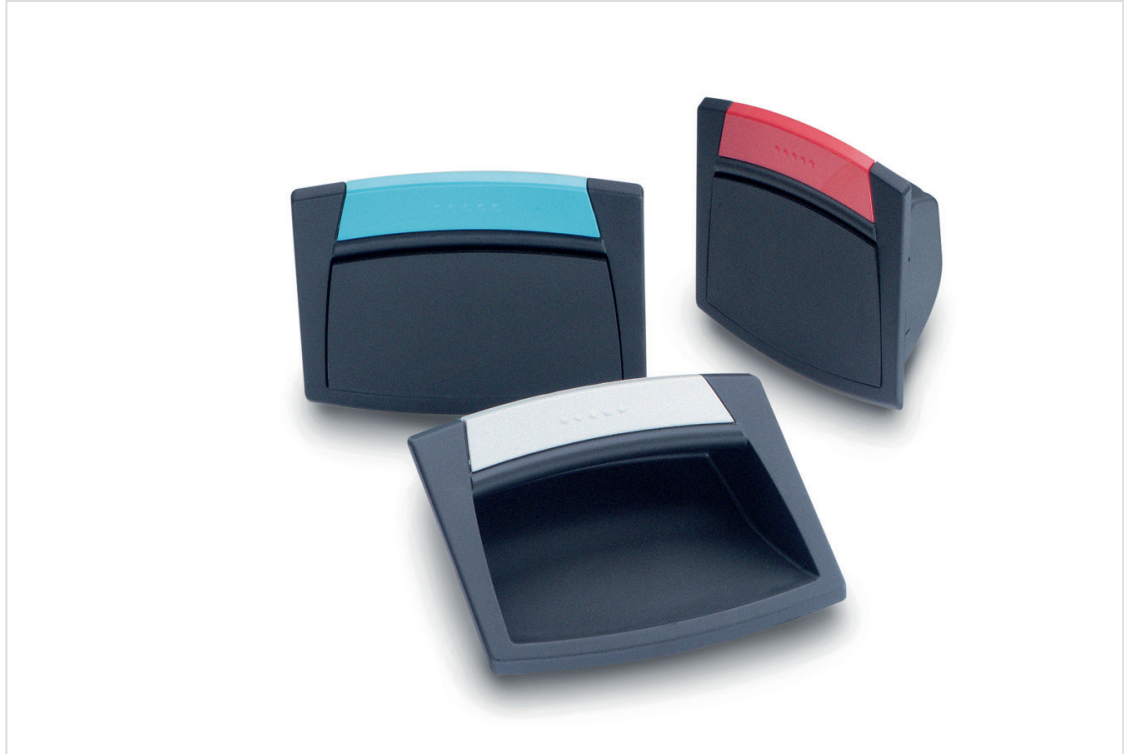
see also...

- Product family Ergostyle® → Page 17
- Gripping trays GN 731.1 → Page 164
- Gripping trays GN 731 (clip-in type) → Page 162

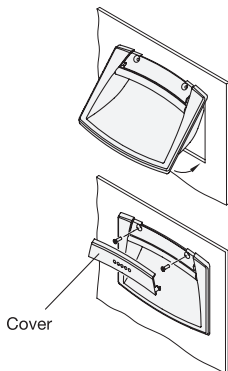
How to order

GN 733-120-S-DSG

1	b_1
2	Type
3	Color of the cover



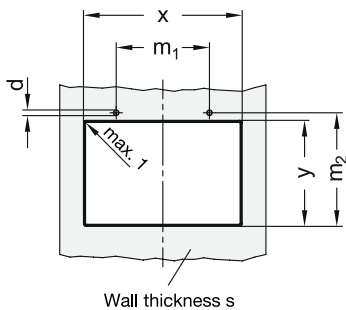
1.1
1.2
1.3
1.4



Mounting information

- 1) Drill the handle housing according to the template dimensions reported in the table.
- 2) Remove all drilling burrs before fitting the handle.
- 3) Fit the upper part of the handle into the housing and press onto the lower part until firmly in place.
- 4) Gently push the handle downward.
- 5) Fit the two self-tapping screws.
- 6) Assemble the screw cover by pressing on the lateral sides first and finally on the central part.

2.1
2.2
2.3



Wall thickness s	d ±0,02 for self-tapping screw	for M3	for $b_1 = 110$				for $b_1 = 120$			
			x +0,2	y +0,5	m ₁ ±0,1	m ₂ ±0,1	x +0,2	y +0,5	m ₁ ±0,1	m ₂ ±0,1
1 ... 1,2	2,5	Core hole drilling 2,5 Through bore-hole 3,2	100	52	64	55,5	107,5	73	64	76,8
> 1,2 ... 1,5	2,55		100	52,2	64	55,5	107,5	73	64	77
> 1,5 ... 2	2,6		100	52,5	64	56	107,5	73	64	77,2
> 2 ... 2,5	2,65		100	52,7	64	56,2	107,5	74	64	77,5
> 2,5 ... 3	2,65		100	53	64	56,5	107,5	74	64	77,8
> 3 ... 3,5	2,7		100	53,2	64	56,7	107,5	74	64	78,1
> 3,5 ... 4	2,7		100	53,4	64	56,9	107,5	75	64	78,4
> 4 ... 4,5	2,7		100	53,6	64	57,1	107,5	75	64	78,7
> 4,5 ... 5	2,7		100	53,8	64	57,3	107,5	75	64	79

2.4
3:10