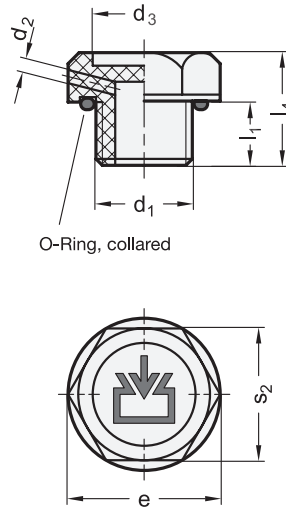
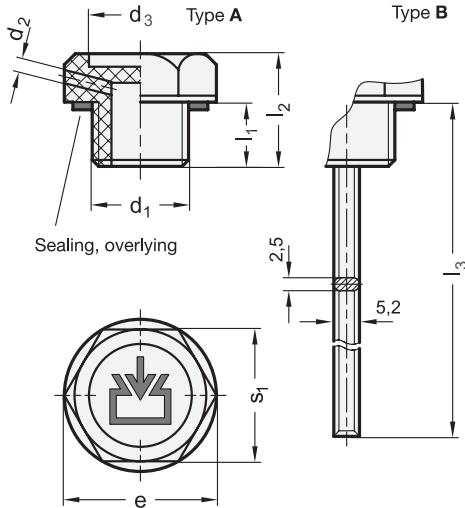


GN 747

GN 747.2



ELESA Original design TCD. / TCR.

**2 Type**

- A without dipstick
- B\*\* with dipstick

**3 Coding**

- 1 without vent drilling
- 2 with vent drilling

1

1

d <sub>1</sub> GN 747				d <sub>1</sub> GN 747.2										
					d <sub>2</sub> Vent drilling	d <sub>3</sub>	l <sub>1</sub>	l <sub>2</sub>	l <sub>3</sub>	l <sub>4</sub>	s <sub>1</sub>	s <sub>2</sub>	e ≈	
G 1/8*	M 10 x 1,5*	M 12 x 1,5 *	-	-	2	15	9	15	120	-	19	-	22	
G 1/4*	M 14 x 1,5*	-	-	G 1/4	2	15	9	15	120	17	19	19	22	
G 3/8	M 16 x 1,5	-	-	G 3/8	2	17	9	15	120	18	22	22	25,5	
G 1/2	M 18 x 1,5	M 20 x 1,5	-	G 1/2	2	20,5	11	18	195	20	26	27	32	
G 3/4	M 22 x 1,5	M 25 x 1,5	M 26 x 1,5	G 3/4	2	25	12	20	195	22	32	32	37	
G 1	M 35 x 1,5	-	-	G 1	2	31	13	22	195	23	38	38	44	
G 1 1/4	M 40 x 1,5	-	-	G 1 1/4	2	38	14	24	195	26	46	46	53,5	
G 1 1/2	-	-	-	G 1 1/2	2	46	15	26	195	28	55	55	63,5	

\* These sizes are not available as Type B-2. \*\* Type B only available for GN 747.

**Specification**

- Plastic (Polyamide PA)
  - glass fiber reinforced
  - black, matte
  - temperature resistant up to 100 °C
- Sealing ring rubber NBR (Perbunan)
- O-ring rubber NBR (Perbunan)
- Dipstick
  - Steel, phosphated
- Level markings / Special lengths  
see GN 109 → Page 1425
- Elastomer characteristics → Page 1483
- Plastic characteristics → Page 1483
- RoHS-compliant

**Information**

The dipstick of the threaded plugs GN 747 has two flat sides on which the MAX-MIN oil levels can easily be marked (see GN 109).

see also...

- Threaded plugs GN 741 / GN 742 (Aluminum) → Page 1114
- Threaded plugs GN 745 (without symbol) → Page 1111

How to order (Sealing overlying)

GN 747-M20x1,5-A-1

- 1 d<sub>1</sub>
- 2 Type
- 3 Coding

How to order (O-ring collared)

GN 747.2-G1/2-A-1

- 1 d<sub>1</sub>
- 2 Type
- 3 Coding