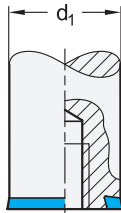
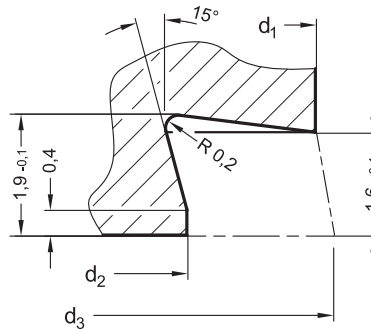


Diagram
Installation space



Application example



| ¹ d ₁ | ² d ₂ | ³ d ₃ | s | | | | | |
|---|-----------------------------|-----------------------------|-----|-----------------------------------|----|-------|---|--|
| Nominal dimensions - Installation space | | | | Actual dimensions - Sealing rings | | | | suitable for |
| 12 | 8 | 12,8 | 1,6 | 11,25 | 7 | 12,35 | 2 | GN 429 / GN 1580 |
| 14 | 10 | 14,8 | 1,6 | 13,25 | 9 | 14,35 | 2 | GN 75.6 / GN 305 / GN 1580 |
| 16 | 12 | 16,8 | 1,6 | 15,25 | 11 | 16,35 | 2 | GN 75.6 / GN 429 |
| 18 | 14 | 18,8 | 1,6 | 17,25 | 13 | 18,35 | 2 | GN 75.6 / GN 305 / GN 1580 / GN 5435 / GN 5445 |
| 21 | 17 | 21,8 | 1,6 | 20,25 | 16 | 21,35 | 2 | GN 1580 / GN 5435 / GN 5445 |
| 22 | 18 | 22,8 | 1,6 | 21,25 | 17 | 22,35 | 2 | GN 305 |
| 25 | 21 | 25,8 | 1,6 | 24,25 | 20 | 25,35 | 2 | - |
| 30 | 26 | 30,8 | 1,6 | 29,25 | 25 | 30,35 | 2 | - |

Specification

- H-NBR **HNBR**
hydrogenated acrylonitrile butadiene rubber
- blue
- temperature resistant -25 °C to +150 °C
- FDA compliant
- Hardness 85 ±5 Shore A **85**
- *Elastomer characteristics* → Page 1483
- RoHS

Information

Components with cylindrical mounting surfaces which are installed in hygiene areas can be sealed and mounted without dead spaces using GN 7600 sealing rings.

As delivered, or unassembled, the sealing rings have the “actual dimensions” as stated in the table. To ensure a firm seating and reliable sealing, an installation space must be provided in the component as shown in the diagram. This ensures that when the sealing ring is installed, it will be subject to the necessary pressure without excess load. All surfaces which are in contact with the sealing ring should have a minimum surface quality of Ra 0.8 µm.

Ganter standard parts which are supplied with GN 7600 sealing rings are listed in the table and can be supplied individually in case service is required.

| | | | |
|-------------------------------|--|---|----------------|
| How to order | | 1 | d ₁ |
| | | 2 | d ₂ |
| | | 3 | s |
| | | 4 | Material |
| | | 5 | Hardness |
| GN 7600-12-8-2-HNBR-85 | | | |