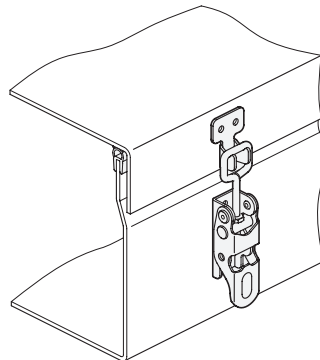


Application example



EDDELSTAHL®
Rost
frei
Inox
Stainless
Steel

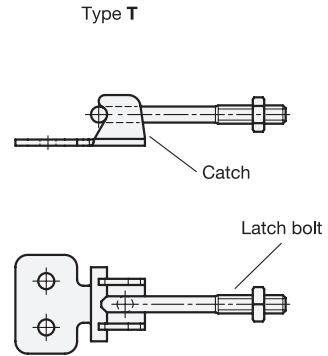
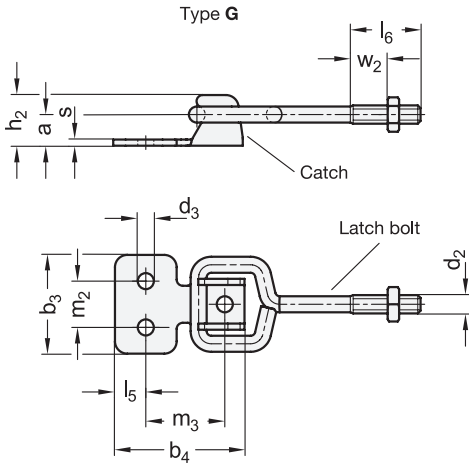
2 Type

- G** Latch bolt with loop, with catch
- T** Latch bolt with T-head, with catch



Size	F _H in N Holding capacity	a	b ₁	b ₂	b ₃	b ₄	d ₁	d ₂	d ₃	h ₁	h ₂	h ₃
100	1000	8,3	52,5	21,5	24	29	5	M 5	4,2	18	13,3	25
200	2000	10	65	27,5	32	42	6	M 6	5,2	25	16,4	33
300	3000	12,7	81,5	31,5	38	52	8	M 8	6,2	32	20,7	41,5

Size	l ₁	l ₂	l ₃	l ₄	l ₅	l ₆	m ₁	m ₂	m ₃	r ≈ For w ₂ = 0	s	w ₁ Stroke	w ₂ Adjustable range
100	117,5	22	34,5	6,5	5,5	20	20	13	17,5	51	1,5	12	7
200	155,5	28	44	8	10	25	24,5	15	24	64	2	14	11
300	189,5	33	54	11	12,5	30	30	20	29,5	79,5	2,5	18	12,5



Specification

- Steel **ST**
Zinc plated, blue passivated
- Stainless steel AISI 304 **NI**
- *Stainless Steel Characteristics* → Page 2166
- RoHS

Information

Toggle latches GN 761 / GN 761.1 are especially suited for rapid closing and fastening of covers, container lids and boxes.

When the lever is closed, the eccentric configuration of the rod shaft causes the latch bolt to move towards the catch. At the end of the lever movement, the rod shaft has exceeded the eccentric dead center point, thereby automatically keeping the toggle latch closed.

For toggle latches GN 761.1 with lock mechanism, when the lever is closed, a safety hook clicks firmly into the base body. This prevents inadvertent or vibration-induced release from the clamping position. To open the latch, the safety hook can be unlocked with a single hand.

The latch bolts of the toggle latches can be adjusted within the adjustable range w_2 . The catch is included.

see also...

- *Toggle Latches GN 831* → Page 856
- *Toggle Latches GN 831.1 / GN 831.2* → Page 858

How to order (Without lock mechanism)

1	Size
2	Type
3	Material

GN 761-100-G-ST

How to order (With lock mechanism)

1	Size
2	Type
3	Material

GN 761.1-200-T-NI

