

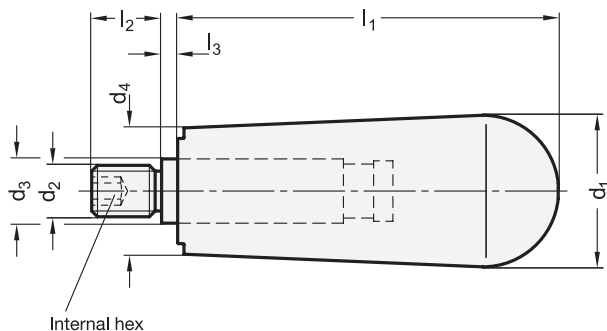


elesa

Original design I.644-SST-SAN



Inox
Stainless
Steel



d₁	d₂	d₃	d₄	l₁	l₂	l₃ ≈
36	M 8	14	30	90	16	1,5

Specification

Handle

- Plastic, Polyamide (PA)
 - Glass fiber reinforced
 - Operating temperature -30 °C to +130 °C
 - Black-gray, RAL 7021, matte finish
 - White, RAL 9016, matte finish
- KT**
- **SGA**
○ **WSA**

Spindle

Stainless steel AISI 304

RoHS

Revolving handles GN 798.6 are manufactured from an antimicrobial plastic. Adding a silver-based substance has created a natural active agent that helps to prevent the growth of bacteria. Even after repeated cleaning with soap or solvent, the antimicrobial effect of this additive will not diminish. Sterilising at temperatures below 130 °C will also have no effect on the antimicrobial property.

With these properties, the handles are the perfect choice for use in medical engineering, in the food and the pharmaceutical industry, and in general wherever hygiene is of great importance.

see also...

GN 539 Fixed Cylindrical Handles	Page QVX
GN 598.3 Retractable Handles (with Hold in Both Positions)	Page QVX

Technical Information

Product family Sanline	Page QVX
Plastic Characteristics	Page QVX
Stainless Steel Characteristics	Page QVX

How to order

1 Material
2 d₁
3 d₂
4 Finish

GN 798.6-KT-36-M8-SGA