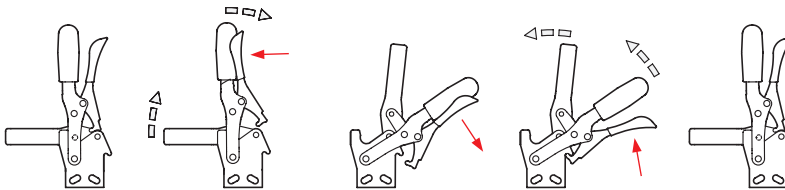


**2 Type**

- VL** Clamping arm extended, with slotted hole and with two flanged washers
- VLC** Clamping arm extended, with slotted hole, two flanged washers and clamping screw GN 708.1

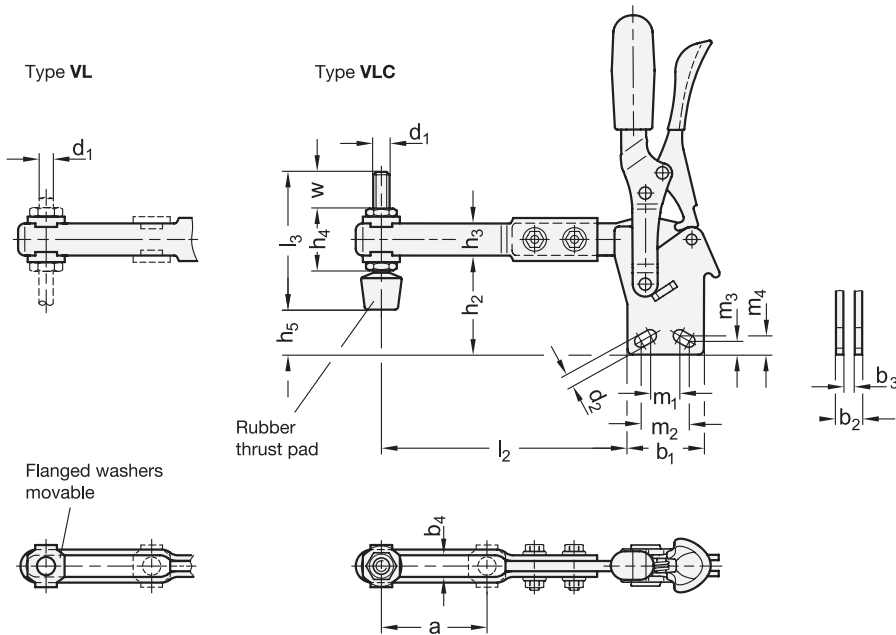
**Operating principle**



**1**

Size	$F_H$ in N Holding capacity	$a \approx$	$b_1$	$b_2$	$b_3$	$b_4$	$d_1$	$d_2 \approx$	$h_1 \approx$	$h_2$	$h_3$	$h_4$	$h_5$ max.
130	500	67,5	35	10	5	6,3	M 6	5,5	156	41,5	16	25,5	25
230	1000	71,5	43	12	6	8,2	M 8	6,5	183	48	18	30	24

Size	$l_1 \approx$	$l_2 \approx$	$l_3$	$m_1$	$m_2$	$m_3$	$m_4$	$r \approx$	$w$ Adjustable range
130	164	121	55	12,5	19	6,5	7,5	158	17,5
230	198	145,5	68	19,5	19,5	6,5	6,5	191	20



## Specification

- Steel
  - Case-hardened steel C10  
Zinc plated, blue passivated
  - Bearing pins tempered
  - Bearing rivets case-hardened
- All moving parts  
Lubricated with special grease
- Solid designed plastic handle  
Red, oil resistant
- Clamping screw GN 708.1, type A
  - Steel, zinc plated, blue passivated
  - Rubber thrust pad 85 Shore A

## • RoHS

## Accessory

- Clamping Screws → Page 810 ff.
- Holders for Clamping Screws GN 801  
→ Page 815
- Clamping Arm Extenders GN 801.1  
→ Page 816
- Clamping Arm Extenders GN 801.2  
→ Page 817

## Information

Toggle clamps GN 810.4 are latched in both end positions. In the clamped position, this prevents unintentional opening or opening caused by vibrations; and in the open position, it prevents self-closing of the toggle clamp, such as due to an extended clamping arm. The latching can be disabled with a single hand to allow for opening / closing.

They work according to the toggle principle, lever and clamping bar move in the same direction. In the clamped position the operating lever is in its vertical position.

Toggle clamps with forked clamping arm, with two flanged washers (type VL) can accommodate an application specific clamping screw. A clamping screw with neoprene rubber tip is also included for type VLC.

### see also...

- *General Information for Toggle Clamps* → Page 698
- *Toggle Clamps GN 810.11 („Longlife“)* → Page 714
- *Toggle Clamps GN 810.3 (with Horizontal Mounting Base, with Extended Clamping Arm)* → Page 706

### How to order

**GN810.4-230-VLC**

- |   |      |
|---|------|
| 1 | Size |
| 2 | Form |