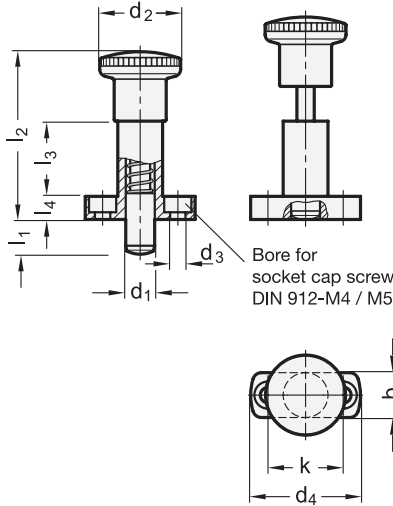


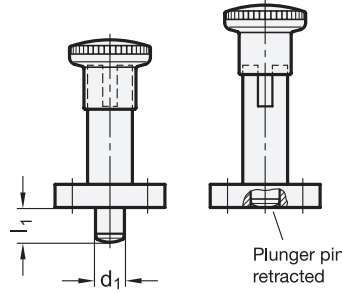
Type B



Bore for
socket cap screw
DIN 912-M4 / M5

Type C

(Knob rotated 90°)



Plunger pin
retracted



3 Type

- B** without rest position
- C** with rest position

1

2

d ₁ Pin Bore	l ₁	b	d ₂	d ₃	d ₄	k	l ₂	l ₃	l ₄	Spring load in N _≈	
										initial	end
6	6	13	23	4,3	34	22	48	22	6	6,5	19
6	9	13	23	4,3	34	22	48	22	6	6	25
8	8	16	28	5,3	38	26	58	26	8	8,5	26
8	12	16	28	5,3	38	26	58	26	8	8,5	28
10	12	16	28	5,3	38	26	58	26	8	9,5	38

Specification

4

- Guide
Zinc die casting
plastic coated
black, RAL 9005, textured finish
- Plunger pin
Stainless Steel
- AISI 303
- chemically nickel plated
- Knob
Plastic (Polyamide PA)
- black, matte
- red, matte RAL 3000 ● RT
- not removable
- Load rating information → Page 1463
- Stainless Steel characteristics → Page 1489
- Plastic characteristics → Page 1483
- RoHS

On request

- Indexing plungers with T-Handle

Information

Indexing plungers GN 817.1 (Type C) are used for such applications where the plunger has to stay in its retracted position. To achieve this, the knob is rotated by 90° degrees after being retracted. A notch keeps the plunger in this position.

see also...

- List of indexing plunger types → Page 640 ff.
- Positioning bushings GN 412.2 → Page 696
- Positioning bushings with ramping cone GN 412.3 → Page 697
- Indexing plungers GN 608 (without rest position) → Page 666
- Indexing plungers GN 608.1 (with rest position) → Page 667
- Mini indexing plungers GN 822.8 (with and without rest position) → Page 672

How to order

GN817.1-8-12-B

- 1** d₁
- 2** l₁
- 3** Type

