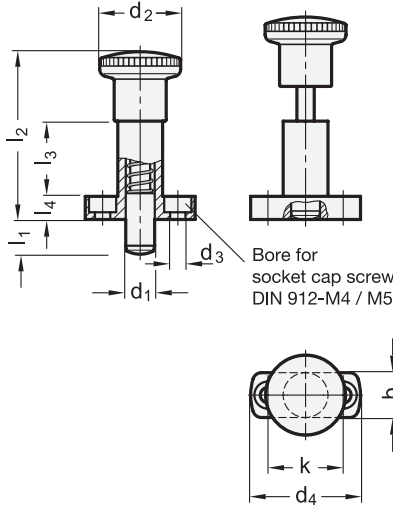


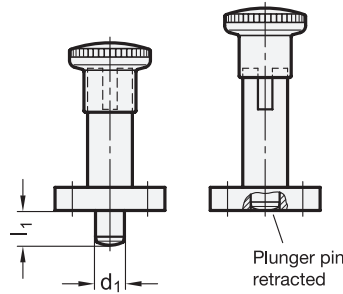
Type B

Type C

(Knob rotated 90°)



Bore for socket cap screw DIN 912-M4 / M5



**3** Type

- B** Without rest position
- C** With rest position

**1**

**2**

d <sub>1</sub> Pin Bore	l <sub>1</sub>	b	d <sub>2</sub>	d <sub>3</sub>	d <sub>4</sub>	k	l <sub>2</sub>	l <sub>3</sub>	l <sub>4</sub>	Spring load in N <sub>≈</sub>	
										Initial	End
6	6	13	23	4,3	34	22	48	22	6	6,5	19
6	9	13	23	4,3	34	22	48	22	6	6	25
8	8	16	28	5,3	38	26	58	26	8	8,5	26
8	12	16	28	5,3	38	26	58	26	8	8,5	28
10	12	16	28	5,3	38	26	58	26	8	9,5	38

**Specification**

**4**

- Guide  
Zinc die casting  
Powder coated  
Black, RAL 9005, textured finish
- Plunger pin  
Stainless steel AISI 303  
Chemically nickel plated
- Knob  
Plastic (Polyamide PA)  
- Black, matte finish —  
- Red, RAL 3000, matte finish **● RT**  
- Not removable
- Load Rating Information → Page 2132
- ISO Fundamental Tolerances → Page 2151
- Plastic Characteristics → Page 2158
- Stainless Steel Characteristics → Page 2166
- RoHS

**On request**

- Indexing plungers with T-Handle

**Information**

Indexing plungers GN 817.1 (Type C) are used for such applications where the plunger has to stay in its retracted position. To achieve this, the knob is rotated by 90° degrees after being retracted. A notch keeps the plunger in this position.

see also...

- List of Indexing Plunger Types → Page 884 ff.
- Positioning Bushings GN 412.2 / GN 412.4 → Page 954
- Positioning Bushings with Ramping Cone GN 412.3 / GN 412.5 → Page 955
- Indexing Plungers GN 608 (without Rest Position) → Page 922
- Indexing Plungers GN 608.1 (with Rest Position) → Page 923
- Mini Indexing Plungers GN 822.8 (with and without Rest Position) → Page 928

How to order (With black knob)	<b>1</b> d <sub>1</sub>
	<b>2</b> l <sub>1</sub>
<b>GN817.1-8-12-B</b>	<b>3</b> Type

How to order (With red knob)	<b>1</b> d <sub>1</sub>
	<b>2</b> l <sub>1</sub>
<b>GN817.1-6-9-C-RT</b>	<b>3</b> Type
	<b>4</b> Color