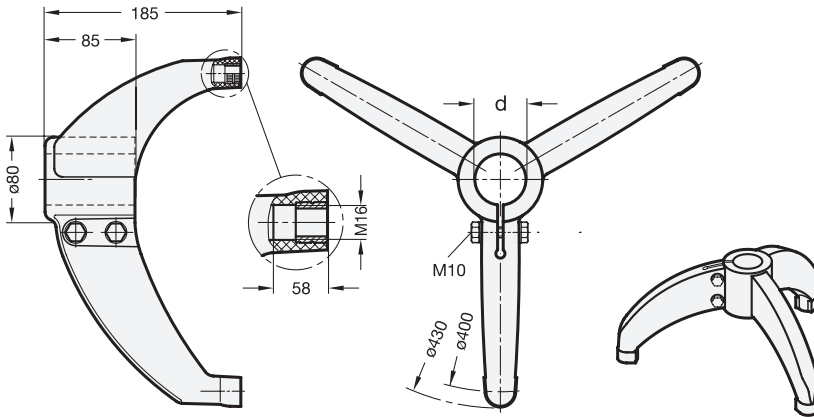




ELESA Original design BAS3



Inox
Stainless
Steel



d Bore B	for tube outside-Ø	standard description in inch
B 42,4	42,4	1¼"
B 48,3	48,3	1½"
B 60,3	60,3	2"

Specification

- Plastic (Polyamide PA)
 - glass fiber reinforced
 - temperature resistant up to 100 °C
 - black, matte
- Hexagon screws DIN 931
Stainless Steel AISI 304
- Hexagon nuts DIN 934
Stainless Steel AISI 304
- Washers
Stainless Steel AISI 304
- *Stainless Steel characteristics* → Page XYZ
- *Plastic characteristics* → Page XYZ ff.
- RoHS

On request

- Version with square 45 x 45

Information

see also...

- *Levelling feet* → Page XYZ ff.
- *Construction tubes GN 990* → Page XYZ

How to order

GN82-B60,3

1 d