

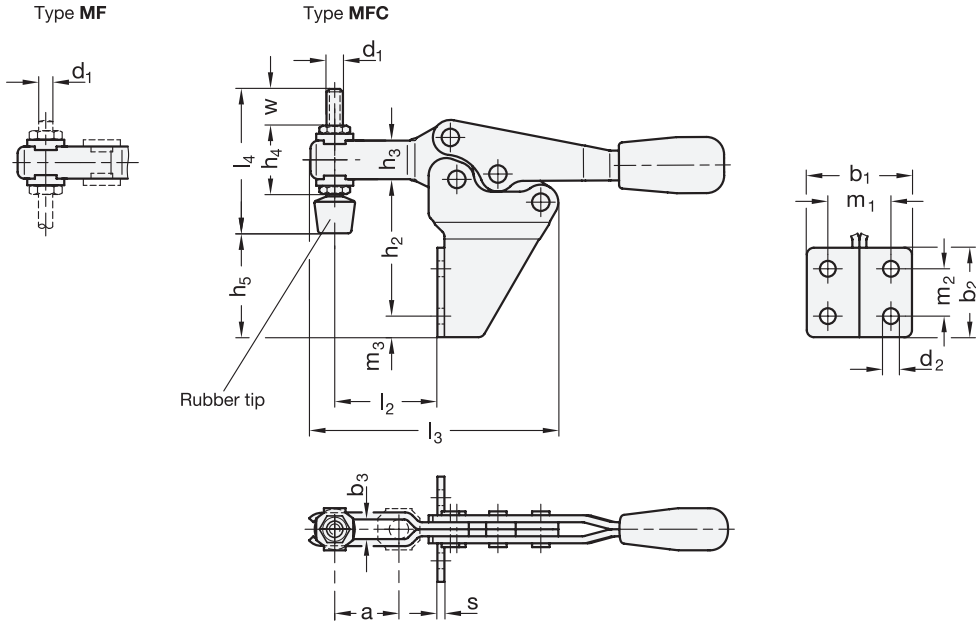
ROSTFREI  
Rost  
frei  
Inox  
Stainless  
Steel

- 2 Type**
- MF** U-bar version, with two flanged washers
  - MFC** U-bar version, with two flanged washers and clamping screw GN 708.1



Size	Steel	Stainless Steel	$F_H$ in N	Holding capacity	$a \approx$	$b_1$	$b_2$	$b_3$	$d_1$	$d_2$	$h_1$	$h_2$	$h_3$	$h_4$	$h_5$ max.
75	75	75	900	20	30	25,5	5,5	M 5	5	4,5	62	39	11	19	30
130	130	130	1000	32	39	35	6,5	M 6	6	5,5	85	58,5	16	25,5	48,5
230	230	230	1700	37	43	40	8,5	M 8	8	6,5	102	69	18	30	53
355	-	-	1800	58	52	52	10,5	M 10	10	8,5	135	92	22	37	75,5

Size	Steel	Stainless Steel	$l_1$	$l_2$	$l_3$	$l_4$	$m_1$	$m_2$	$m_3$	$r$	$s$	$w$ Adjustable range
75	75	75	118	30	72	45	18	13,5	6	42,5	2	15
130	130	130	170	45	95	55	26	22	6,5	61	2,5	17,5
230	230	230	195	52	113	68	28,5	24	8	70	3	20
355	-	-	270	85	166	77	32	32	10	108,5	3,5	19



**Specification**

- Steel
  - Case-hardened Steel C10 zinc plated, blue passivated
  - Bearing pins tempered
  - Bearing rivets (for size 355 and up) case-hardened
- Stainless Steel AISI 304 **NI**
- All moving parts lubricated with special grease
- Hand grip High quality, oil resistant red plastic
- Clamping screw GN 708.1, type A
  - Steel, zinc plated / Stainless Steel, AISI 304
  - Rubber tip 85 Shore A
- *Stainless Steel characteristics* → Page 1489
- **RoHS**

**Accessory**

- Clamping screws → Page 585 ff.
- Holders for clamping screws GN 801 (for type MF) → Page 590
- Clamping arm extenders GN 801.1 (for type MF) → *New products*
- Clamping arm extenders GN 801.2 (for type MF) → *New products*



**Information**

GN 820.2 toggle clamps work according to the toggle principle: lever and clamping bar move in the opposite direction.

They require less space for the clamping action. In the clamped position the operating lever is in its horizontal position. The 90° rotated mounting surface allows a space-saving installation in addition to the clamping point.

Toggle clamps in the U-bar version with two flanged washers (type MF) can accommodate an application specific clamping screw. A clamping screw with neoprene rubber tip is also included for type MFC.

see also...

- *General information for toggle clamps* → Page 500

How to order (Steel)

**GN 820.2-130-MF**

- 1 Size
- 2 Type

How to order (Stainless Steel)

**GN 820.2-230-MF-NI**

- 1 Size
- 2 Type
- 3 Material

