

elesa
Original design MPR



¹ l ₁	d	h ₁	h ₂	h ₃	h ₄	h ₅	l ₂	l ₃	l ₄	l ₅	m ₁ ±0,1	m ₂ ±0,1	m ₃	m ₄	s
90	4,2	29	16,5	47	77	16	141	96	135	65	118	79	16	3	3
105	5,2	43	17	60	95	18	167	116	158	86	141	98	15	4,5	3

Specification

Handle

- Plastic, Polyamide PA
- Glass fiber reinforced
- Operating temperature -30 °C to +100 °C
- Color

- Black, RAL 9005, matte finish
 - Gray, RAL 7035, matte finish
 - White, RAL 9002, matte finish
- **SW**
 - **GR**
 - **WS**

Pin

Stainless steel AISI 303

Return springs

Stainless steel AISI 302

RoHS

The folding handles with recessed tray GN 825.2 are used if the handle is to protrude by a maximum of 3 mm when folded down. After releasing the handle, it returns to its starting position by spring-loaded return.

see also...

	Page
GN 425.8 Folding Handles with Recessed Tray (with Handle Locking or Spring-Loaded Return)	QVX
GN 825.1 Folding Handles (Plastic, with Spring-Loaded Return)	QVX

Technical Information

Installation dimensions	QVX
Strength Properties	QVX
Plastic Characteristics	QVX
Stainless Steel Characteristics	QVX

How to order

GN 825.2-90-SW

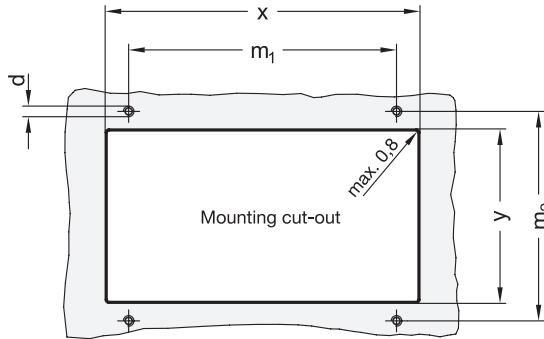
¹ l₁

² Color



Folding Handle with Recessed Tray GN 825.2
Folding Handle GN 825.1 → Page <?>

Installation dimensions



for l ₁ = 90					for l ₁ = 105				
d	x +0,2	y +0,2	m ₁ ±0,1	m ₂ ±0,1	d	x -0,2	y -0,2	m ₁ ±0,1	m ₂ ±0,1
M 4	135	65	118	79	M 5	158	86	141	98

