

- 2 Type**
- ASD** Clamping by turning handle counter-clockwise
 - ASS** Clamping by turning handle clockwise

Size	F _H in N Holding capacity	a	b	d ₁	d ₂	d ₃	d ₄	h ₁ ≈	h ₂
50	800	10	17,5	6,5	M 4	12	4,3	45,2	30,5

Size	l ₁ ≈	l ₂ ≈	l ₃ ≈	l ₄ ≈	m ₁	m ₂	m ₃	t min.	w Stroke
50	73	64,5	33	21	16	16	8	9	16

Specification

- Parts in sheet metal
Case-hardened Steel C10
Zinc plated, blue passivated
- Plunger
Steel St 37
Zinc plated, blue passivated
- Plunger guide bushing
Steel St 37
Zinc plated, blue passivated
- All moving parts
Lubricated with special grease
- Solid designed plastic handle
Red, oil resistant
- **RoHS**

Accessory

- Clamping Screws → Page 810 ff.

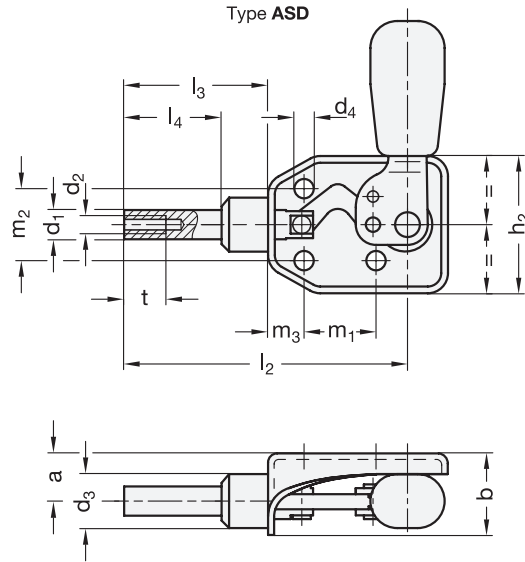
Information

Push-pull type toggle clamps GN 840 are known for their extremely low height regardless of the position of the operating handle.

see also...

- General Information for Toggle Clamps → Page 698

<p>How to order</p> <p>GN 840-50-ASD</p>	1 Size
	2 Type



Type ASS is mirror image of type ASD

