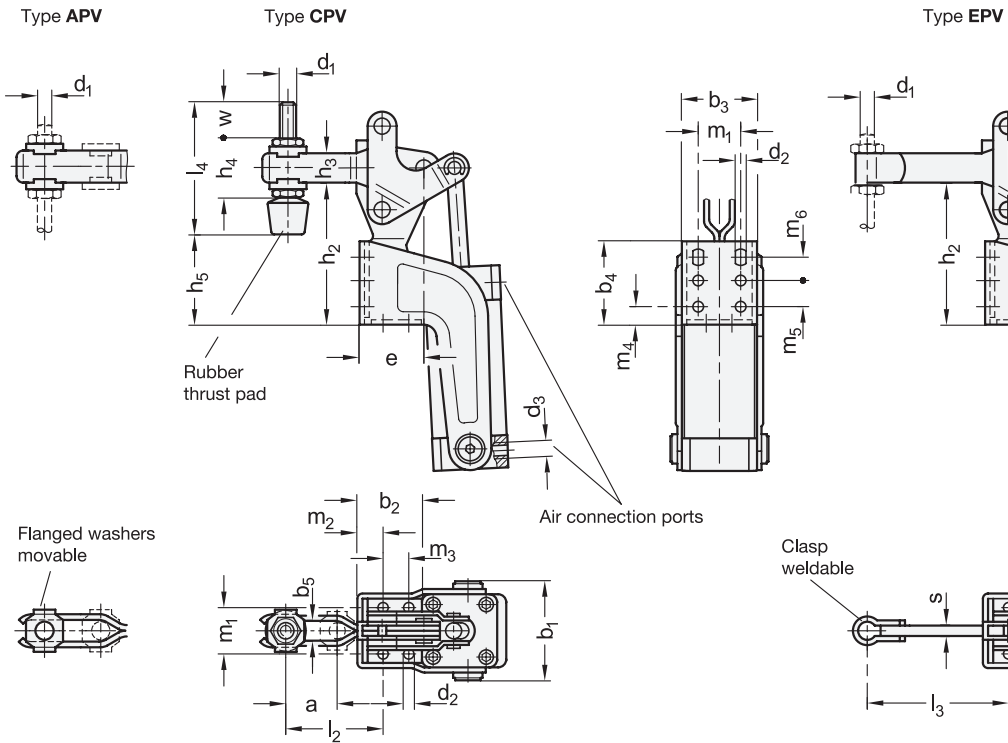


- 2 Type**
 - APV** Forked clamping arm, with two flanged washers
 - CPV** Forked clamping arm, with two flanged washers and clamping screw GN 708.1
 - EPV** Solid clamping arm, with clasp for welding
- 3 Coding**
 - M** Magnetic piston

1

Size	F _H in N Holding capacity	F _S in N Clamping force at 6 bar ≈	a	b ₁	b ₂	b ₃	b ₄	b ₅	d ₁	d ₂	d ₃ Compressed air connections	Inside Ø Connection tube	e	h ₁ ≈	h ₂	h ₃	
75	750	570	20	47	25,5	40	30	5,2	M 5	5	4,5	M 5	4	28	154	43	11
130	1100	610	28	51	33	47	49	6,2	M 6	6	5,6	G 1/8	4	38	167	70	16
230	2200	1260	40	58	38	46	51	8,5	M 8	8	6,5	G 1/8	4	41,5	218	87	18
330	2600	1800	45	70	52,5	56	79	10,5	M 10	10	8,5	G 1/4	6	52,5	263	108	22

Size	h ₄	h ₅	l ₁ ≈ Type APV Type CPV Type EPV	l ₂ ≈	l ₃ max.	l ₄	m ₁	m ₂	m ₃	m ₄	m ₅	m ₆	r ≈ Type APV Type CPV Type EPV	s	w Adjustable range		
75	19	28	99	100	36,5	46	45	24	8,5	12,5	10	12,5	-	62,5	63	4	15
130	25,5	53	118	119	47	58	55	27	13	12,5	16	12,5	12,5	79	80	5	17,5
230	30	63	153	155	67	81	68	26	14	16	11	16	14,2	104	105	6	20
330	37	80	182	184	72	91	77	30	16	28	19	30	20	121	123	7	19



Specification

- Sheet metal parts
Case-hardened steel C10
Zinc plated, blue passivated
- Bearing pins hardened
- Bearing rivets case-hardened
- Air cylinder bearing pins
case-hardened
- Double-action air cylinder
Max. pressure 6 bar
- All moving parts
Lubricated with special grease
- Clamping screw GN 708.1, type A
 - Steel, zinc plated, blue passivated
 - Rubber thrust pad 85 Shore A
- RoHS

Accessory

- Clamping Screws → Page 810 ff.
- Holders for Clamping Screws GN 801
(for Type APV3) → Page 815
- Holders for Clamping Screws GN 809
(for Type EPV3) → Page 818
- Sensor GN 3380 → Page QVX

Information

The clamping principle of toggle clamps GN 862 is identical in construction and dimensions to the manually operated vertical toggle clamps GN 812.

To ensure an extended life of the mechanical parts as well as the air cylinders, the operating pressure should not exceed 6 bar and a compressed air maintenance unit should be installed upstream.

Toggle clamps GN 862 have a permanent magnet integrated into the piston. In conjunction with sensors GN 3380, it is possible to detect the end position, such as for implementing machine controls.

see also...

- *More Information to Toggle Clamps (Pneumatic)* → Page 790

How to order


GN 862-230-APV-M

1	Size
2	Type
3	Coding

