

2 Type
BI Clamping arm vertical

1

Size (Piston-Ø)	Max. clamping moment in Nm at 6 bar	F _S in N Clamping force at r at 6 bar	F _H in N Holding capacity at r	a	b -0,2	d ₁ h8	d ₂	d ₃ H8	d ₄	d ₅	h ₁	h ₂	l ₁ -0,5
20	60	1250	4000	10,5	10	28	M 5	7	4,2	M 5	16	16	150
32	150	2220	6962	15,5	12	40	M 6	9	5	G 1/8	21	21	206
40	300	3640	9139	18,5	16	50	M 8	11	6,8	G 1/8	26	26	244
50	475	4900	12331	21,5	18	60	M 10	13	8,5	G 1/8	31	31	279

Size (Piston-Ø)	l ₂ -0,5	l ₃	l ₄	l ₅	l ₆	l ₇ -0,5	m ₁ ±0,01	m ₂	m ₃ ±0,01	m ₄ ±0,01	m ₅ ±0,01	m ₆	r	s	t
20	171	70	21	4,5	21	97	12	7,5	17	34	22	13	47,5	32	13
32	237	91	31	6	31	133	18	10	25	51	30	22	67,5	42	15
40	282	104	38	7,5	38	155	22	13	30	62	37	25	82,5	52	18
50	323	110,5	44	8	44	174	27	12	47	71,5	44	35	96,5	62	21

Specification

- Steel C45
Chemically nickel plated **NC**
- Max. pressure 10 bar
- ISO Fundamental Tolerances → Page 2151
- RoHS

On request

- With anti-stick coating for protection against welding spray and corrosion

3

Information

The maximum clamping moment of the power clamps GN 865 is reached once the clamping arm is at the end of its stroke. For this reason the working stroke should be completed as closely as possible to the stroke end.

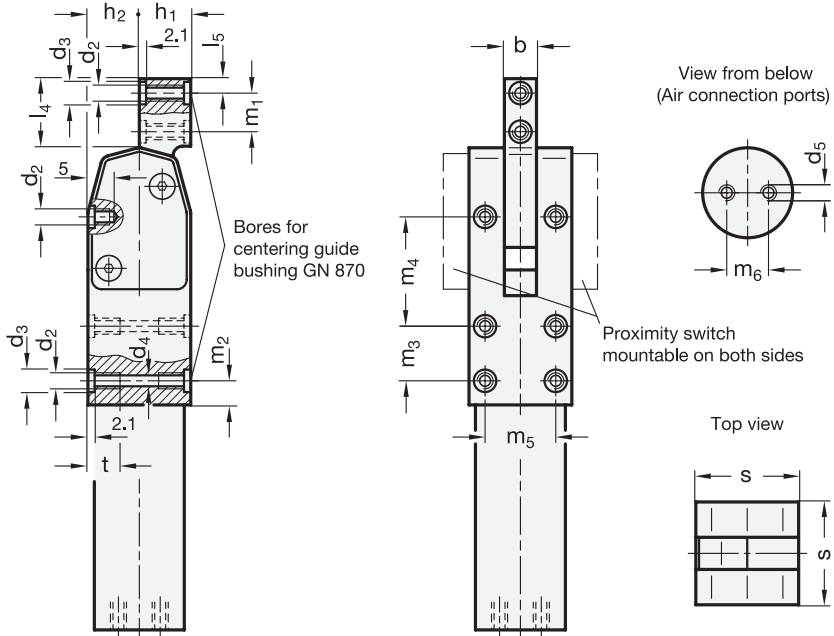
see also...

- Operating Principle, Mounting Methods → Page 820
- Centering Guide Bushings GN 870 → Page 837
- Proximity Switches (to Monitor the End Position) → Page 838
- Other Accessories → Page 828 ff.

How to order

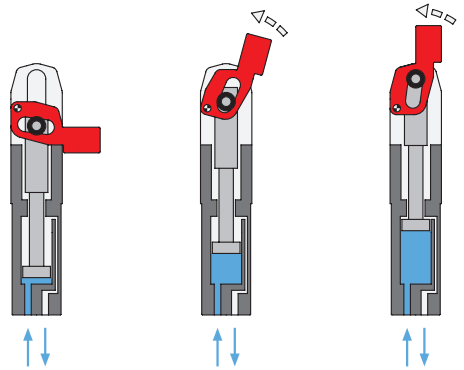
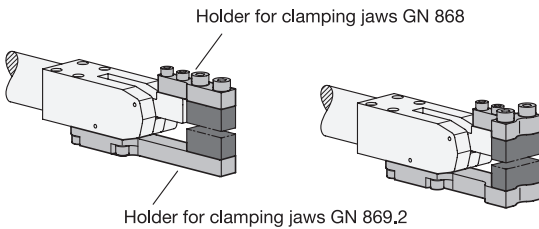
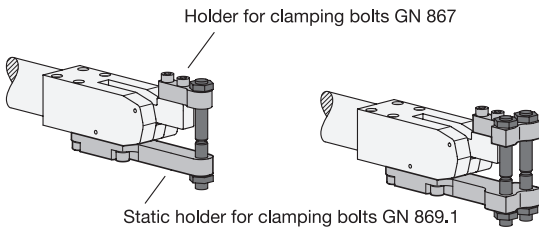
GN 865-40-BI-NC

- 1** Size
- 2** Type
- 3** Finish



Installation examples

Principle of operation



1.1
1.2
1.3
1.4
2.1
2.2
2.3
2.4

