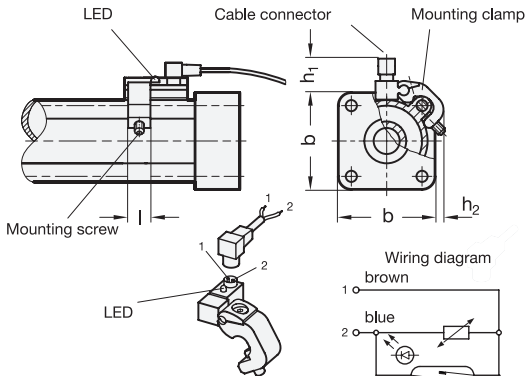
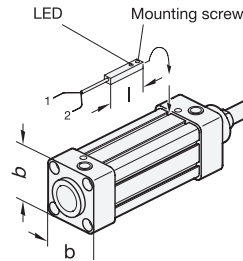


Mounting GN 896.1 / GN 896.2



Mounting GN 896.3

Insert the thinner part of the proximity switch into the provided slot, turn 90° and affix inside the slot via the mounting screw.



Pneumatically operated clamp	Proximity switch	b	h <sub>1</sub> ≈	h <sub>2</sub> ≈	Length l
GN 860-200-AP3-M	GN 896.2	44	24	10	14
GN 860-200-EP3-M	GN 896.2	44	24	10	14
GN 860-300-AP3-M	GN 896.2	50	27	11	14
GN 860-300-EP3-M	GN 896.2	50	27	11	14
GN 860-400-AP3-M	GN 896.1	62	24	10	14
GN 860-400-EP3-M	GN 896.1	62	24	10	14
GN 861-1000-EP-M	GN 896.3	65	-	-	30
GN 861-2000-EP-M	GN 896.3	75	-	-	30
GN 862-200-APV3-M	GN 896.2	44	24	10	14
GN 862-200-EPV3-M	GN 896.2	44	24	10	14
GN 862-300-APV3-M	GN 896.2	50	27	11	14
GN 862-300-EPV3-M	GN 896.2	50	27	11	14
GN 862.1-200-APV3S-M	GN 896.2	44	24	10	14
GN 862.1-200-EPV3S-M	GN 896.2	44	24	10	14
GN 862.1-300-APV3S-M	GN 896.2	50	27	11	14
GN 862.1-300-EPV3S-M	GN 896.2	50	27	11	14
GN 863-1000-EPV-M	GN 896.3	65	-	-	30
GN 863-2000-EPV-M	GN 896.3	75	-	-	30
GN 890-360-SP3-M	GN 896.2	44	24	10	14
GN 890-1100-SP3-M	GN 896.2	50	27	11	14
GN 890-2100-SP3-M	GN 896.1	62	26	10	14

## Information

With proximity switches GN 896.1 to GN 896.3 the pneumatically operated clamps can emit control signals. To do this the clamps must be assembled with a special cylinder with magnetic piston which will cause the electric contacts in the REED switch to close. The proximity switches with their mounting brackets can be set anywhere along the full stroke length of the cylinder.

Specification	GN 896.1	GN 896.2	GN 896.3
Voltage range:	3 to 110 V AC/DC	3 to 110 V AC/DC	3 to 110 V AC/DC
Switch load:	0,3 A	0,3 A	0,2 A
Switch capacity (ind.):	10 VA	10 VA	6 VA
Voltage drop LED:	3 V	3 V	3 V
Temp. range:	- 20 °C to + 85 °C	- 20 °C to + 85 °C	- 20 °C to + 85 °C
Slew rate:	0,6 ms	0,6 ms	0,5 ms
Life expectancy:	10 <sup>7</sup> operations	10 <sup>7</sup> operations	10 <sup>7</sup> operations
Protection class:	IP 67	IP 67	IP 67

Electric cable PVC  
2 wires, 2,5 m.  
If used on DC brown wire  
to be connected to +, for  
the diode to work.

How to order

GN 896.1

1 Code